

MİMARİ KATALOG ARCHITECTURAL CATALOGUE

Alüminyum Kapı Pencere ve Giydirme Cephe Sistemleri
Aluminium Window Doors and Facade Systems



Rd55

MİMARİ KATALOG

ARCHITECTURAL CATALOGUE

Alüminyum Kapı Pencere ve Giydirme Cephe Sistemleri
Aluminium Window Doors and Facade Systems

Rd55

PROFİLLER

PROFILES

01

02

03

04

05

06

07

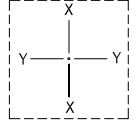
08

09

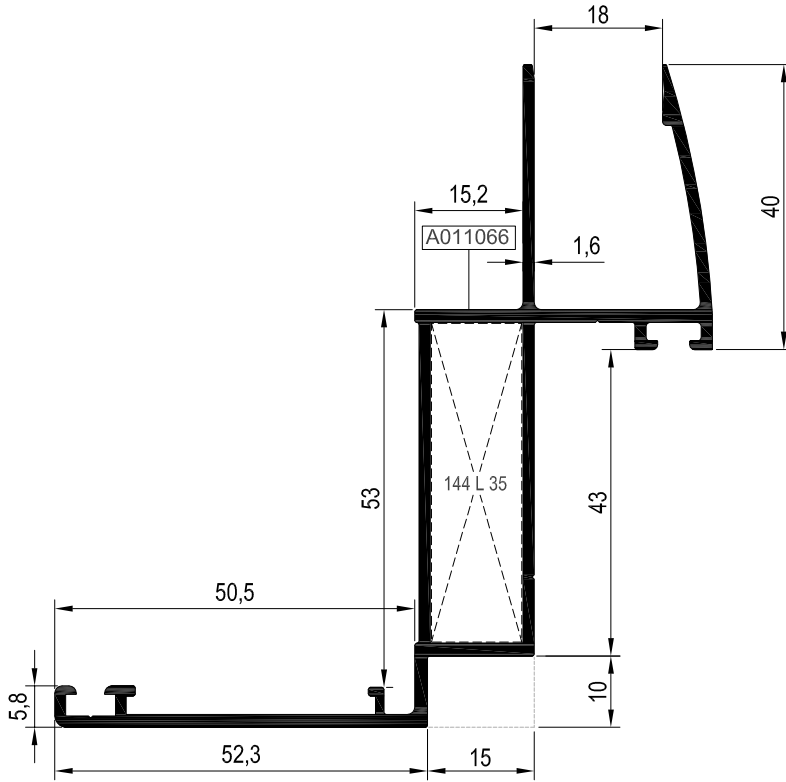
10

11

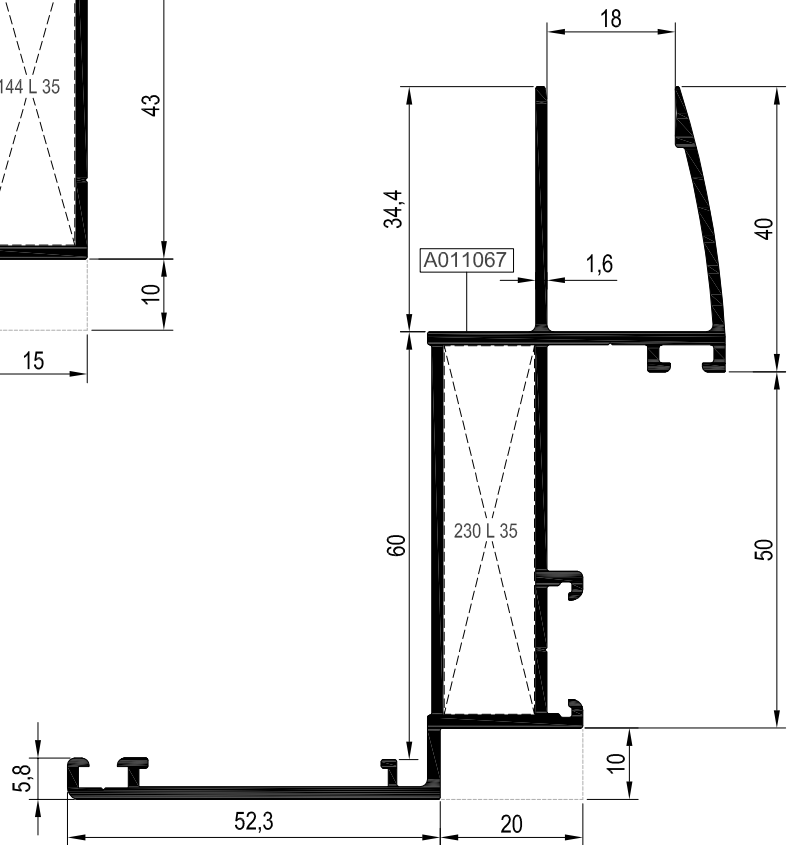
KOD / CODE	AĞIRLIK (kg/m) / WEIGHT	Jxx cm ⁴	Jyy cm ⁴	L m
Rd55 F 01	1,373	25,243	38,509	6
Rd55 F 02	1,500	25,765	48,453	6





Rd55 F 01



Rd55 F 02

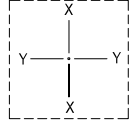


Nr		 L m	KESİM ÖLÇÜSÜ CUTTING SIZE	 AĞS. KODU ACS. CODE
Rd55 F 01	A011066	25 L 35 (A010076)	44,4 mm	144 L 35
Rd55 F 02	A011067	25 L 35 (A010076)	51,4 mm	230 L 35

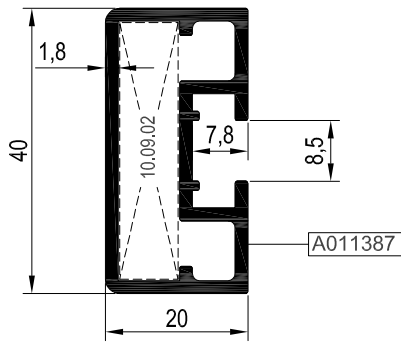
KANAT VE ADAPTÖR PROFİLLERİ
VENT AND ADAPTER PROFILES

Rd55

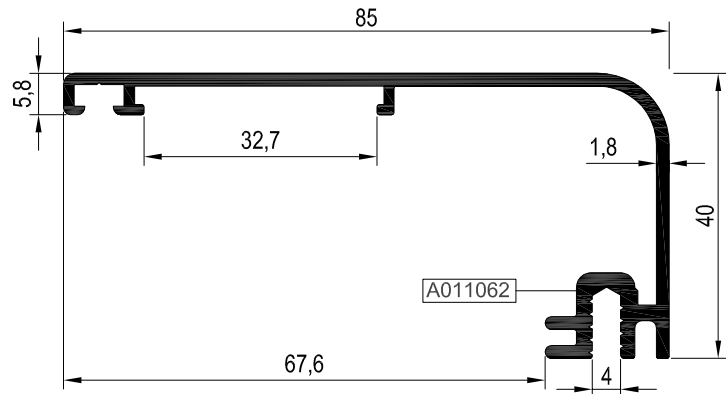
KOD / CODE	AĞIRLIK (kg/m) / WEIGHT	Jxx cm4	Jyy cm4	L m
Rd55 V 02	0,688	1,267	4,539	6
Rd55 A 01	0,860	---	---	6
Rd55 A 02	0,977	---	---	6



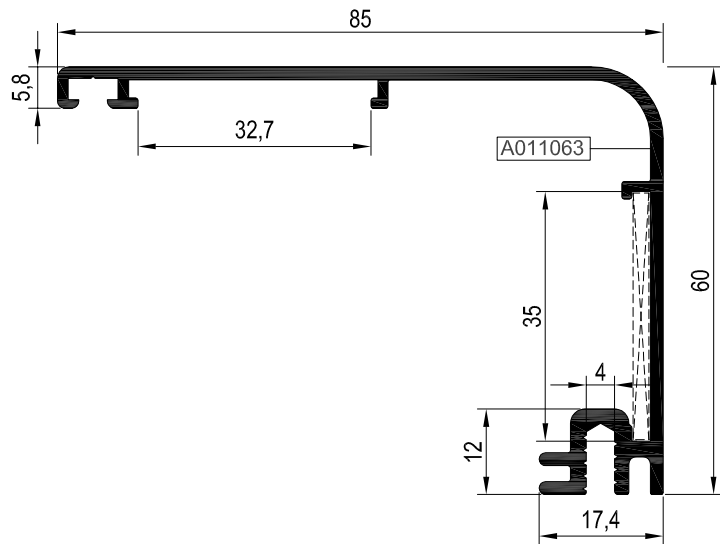
Rd55 V 02





Rd55 A 01



Rd55 A 02

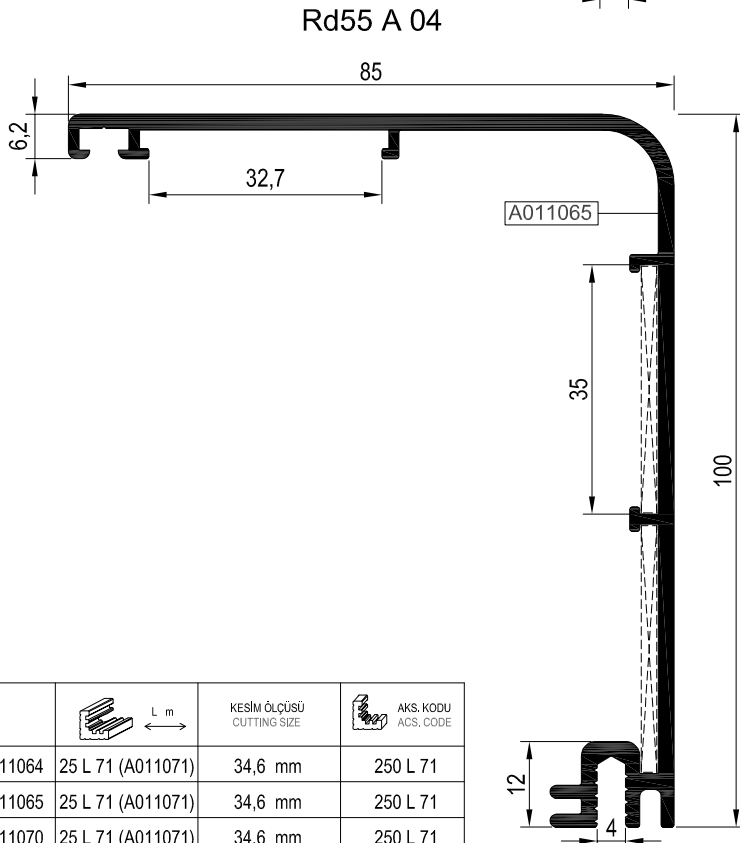
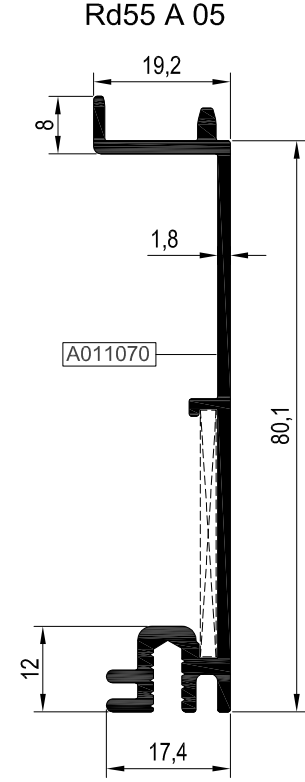
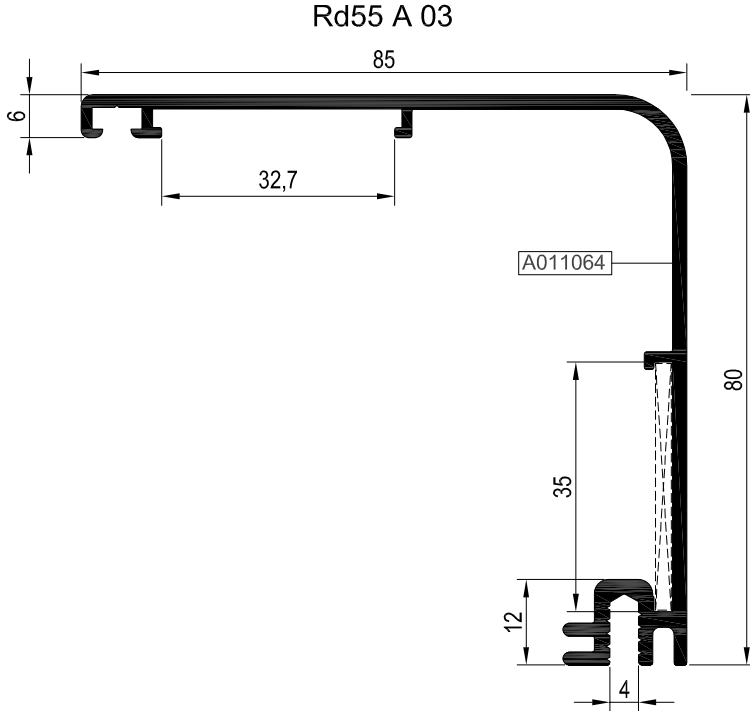
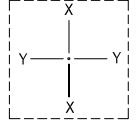



Nr	 L m	KESİM ÖLÇÜSÜ CUTTING SIZE	 AKS. KODU ACS. CODE	
Rd55 A 02	A011063	25 L 71 (A011071)	34,6 mm	250 L 71

ADAPTÖR PROFİLLERİ
ADAPTER PROFILES

Rd55

KOD / CODE	AĞIRLIK (kg/m) / WEIGHT	Jxx cm4	Jyy cm4	L m
Rd55 A 03	1,154	---	---	6
Rd55 A 04	1,376	---	---	6
Rd55 A 05	0,771	---	---	6

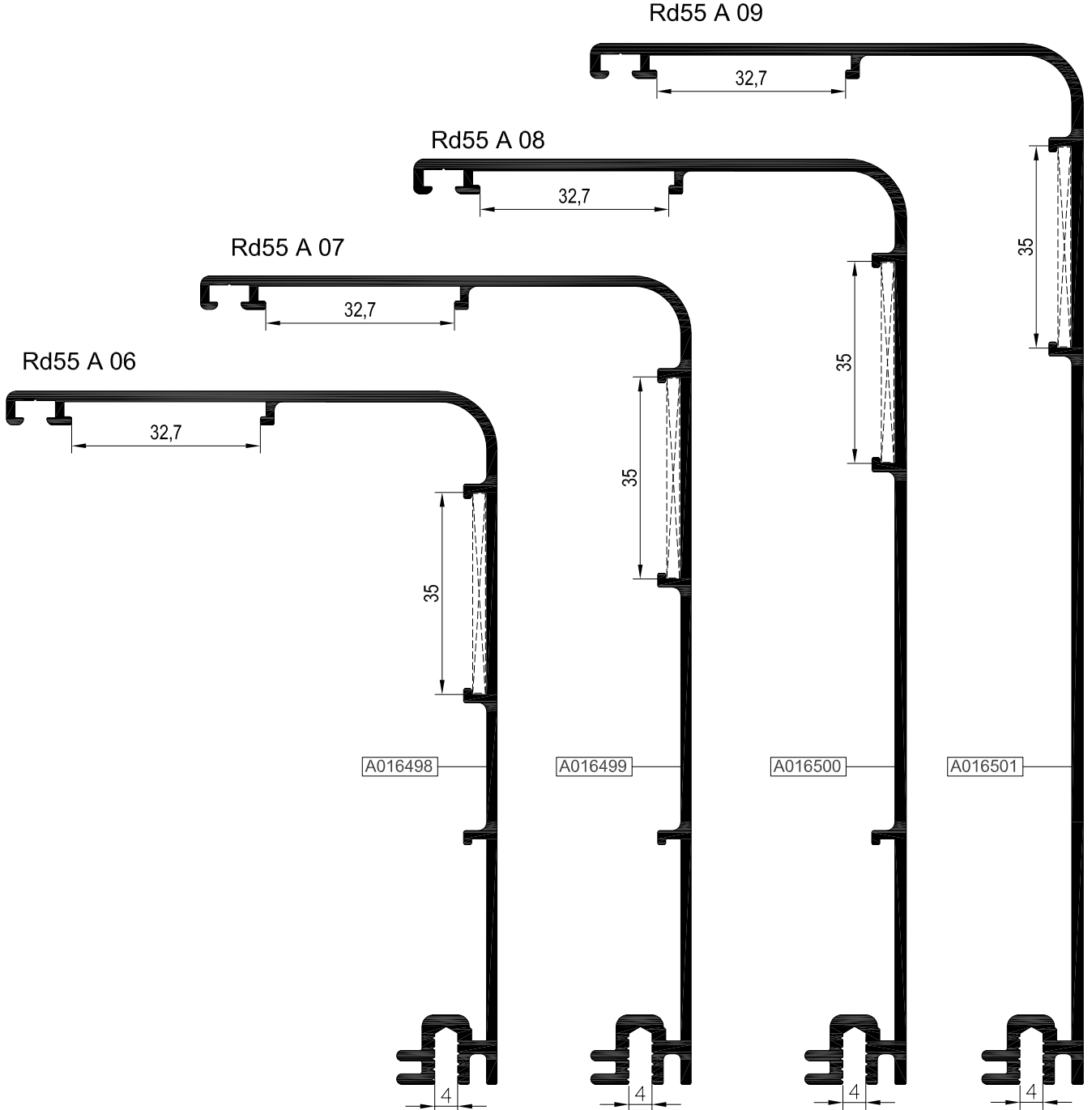
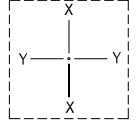



Nr	 L m	KESİM ÖLÇÜSÜ CUTTING SIZE	AKS. KODU ACS. CODE
Rd55 A 03	A011064 25 L 71 (A011071)	34,6 mm	250 L 71
Rd55 A 04	A011065 25 L 71 (A011071)	34,6 mm	250 L 71
Rd55 A 05	A011070 25 L 71 (A011071)	34,6 mm	250 L 71

ADAPTÖR PROFİLLERİ
ADAPTER PROFILES

Rd55

KOD / CODE	AĞIRLIK (kg/m) / WEIGHT	Jxx cm ⁴	Jyy cm ⁴	L m
Rd55 A 06	1,312	---	---	6
Rd55 A 07	1,410	---	---	6
Rd55 A 08	1,641	---	---	6
Rd55 A 09	1,749	---	---	6



Nr	 L m	KESİM ÖLÇÜSÜ CUTTING SIZE	AKS. KODU ACS. CODE
Rd55 A 06	A016498 25 L 71 (A011071)	34,6 mm	250 L 71
Rd55 A 07	A016499 25 L 71 (A011071)	34,6 mm	250 L 71
Rd55 A 08	A016500 25 L 71 (A011071)	34,6 mm	250 L 71
Rd55 A 09	A016501 25 L 71 (A011071)	34,6 mm	250 L 71

01

02

03

04

05

06

07

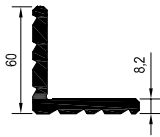
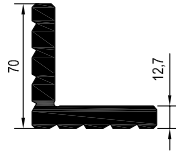
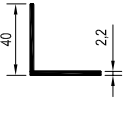
08

09


10

11

TAKOZLAR (CLEATS)

PROFİL KODU (PROFILE CODE)	25 L 18	25 L 35	25 L 71	
FABRİKA KODU (FACTORY CODE)	A002164	A010076	A011071	
AĞIRLIK (WEIGHT)	2,323 kg/m	4,192 kg/m	0,464 kg/m	
ÇİZİM (DRAWING)				

KÖŞE TAKOZLARI (CORNER CLEATS)

Nr		L m	KESİM ÖLÇÜSÜ CUTTING SIZE	AKS. KODU ACS. CODE
Rd55 F 01	A011066	25 L 35 (A010076)	44,4 mm	144 L 35
Rd55 F 02	A011067	25 L 35 (A010076)	51,4 mm	230 L 35
Rd55 V 02	A011387	25 L 18 (A002164)	35,9 mm	111 L 18
Rd55 A 02	A011063	25 L 71 (A011071)	34,6 mm	250 L 71
Rd55 A 03	A011064	25 L 71 (A011071)	34,6 mm	250 L 71
Rd55 A 04	A011065	25 L 71 (A011071)	34,6 mm	250 L 71
Rd55 A 05	A011070	25 L 71 (A011071)	34,6 mm	250 L 71

STOKTA BULUNAN SİSTEM PROFİLLERİNİN LİSTESİ (LIST OF SYSTEM PROFILES IN STOCK)

Nr	MIN. SİPARİŞ MİKTARI MIN. ORDER QUANTITY
RD55 V 02	A011387 75 kg
RD55 A 04	A011065 75 kg
RD55 A 05	A011070 75 kg

* STOKTA BULUNMAYAN TÜM YALITIMLI VE YALITIMSIZ PROFİLLER İÇİN MİNİMUM SİPARİŞ MİKTARI 300 KG'DİR.
MINIMUM ORDER QUANTITY FOR ALL THE PROFILES THAT ARE NOT IN STOCK IS 300 KG.

MİMARİ KATALOG

ARCHITECTURAL CATALOGUE

Alüminyum Kapı Pencere ve Giydirme Cephe Sistemleri
Aluminium Window Doors and Facade Systems

Rd55

DETAYLAR

DETAILS

01

02

03

04

05

06

07

08

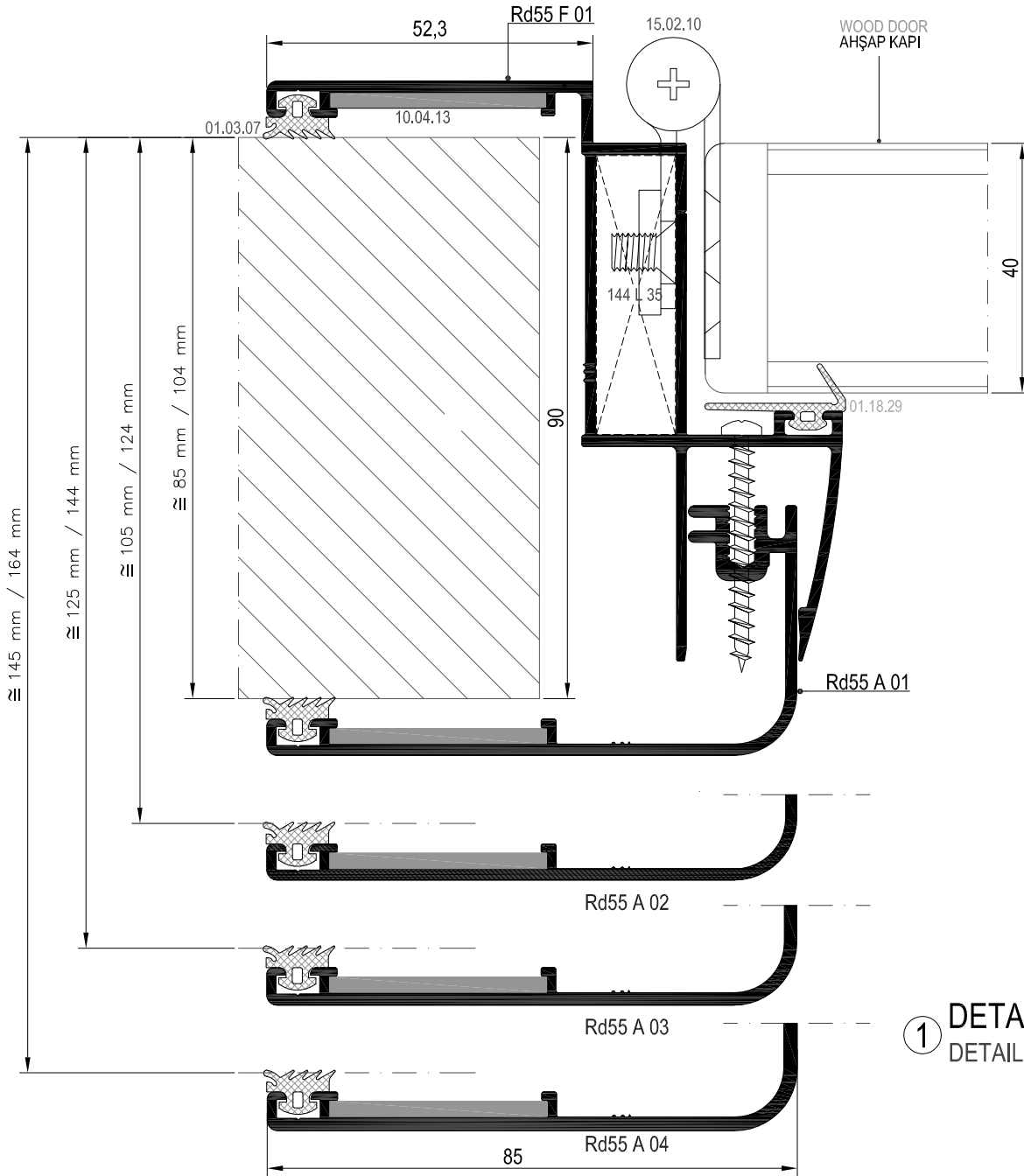
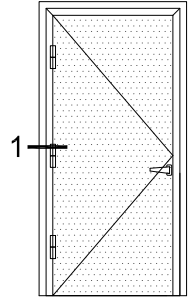
09

10

11

DETAYLAR
DETAILS

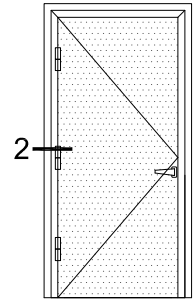
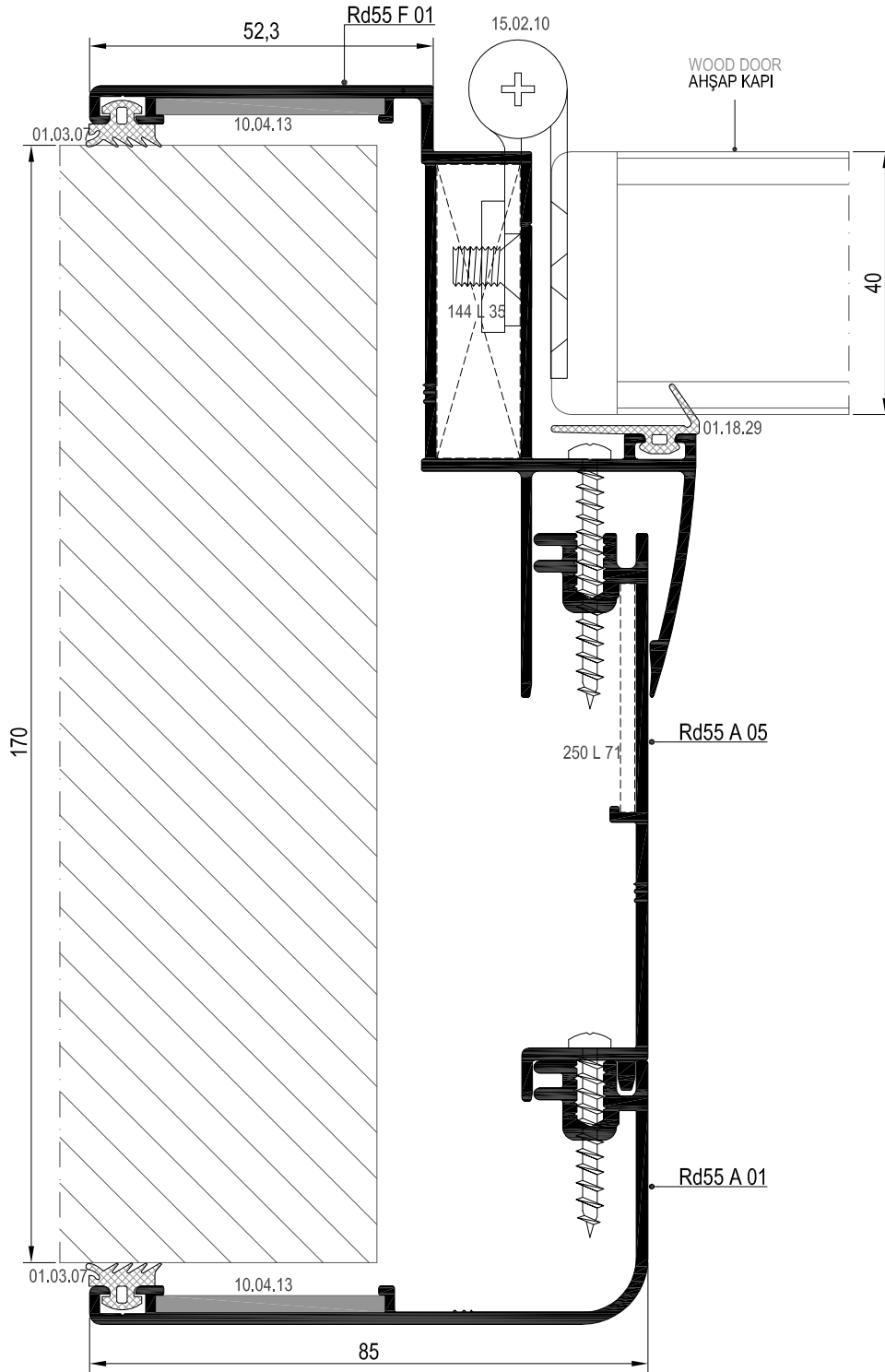
Rd55



① DETAYI
DETAIL

DUVAR KALINLIĞI WALL THICKNESS	KASA PROFİLİ FRAME PROFILE	PERVAZ PROFİLİ SILL PROFILE	ADAPTÖR PROFİLİ ADAPTER PROFILE
85 mm~104 mm	Rd55 F 01	+ Rd55 A 01	+ ----
105 mm~124 mm	Rd55 F 01	+ Rd55 A 02	+ ----
125 mm~144 mm	Rd55 F 01	+ Rd55 A 03	+ ----
145 mm~164 mm	Rd55 F 01	+ Rd55 A 04	+ ----

DUVAR KALINLIĞI WALL THICKNESS	KASA PROFİLİ FRAME PROFILE	PERVAZ PROFİLİ SILL PROFILE	ADAPTÖR PROFİLİ ADAPTER PROFILE
165 mm~184 mm	Rd55 F 01	+ Rd55 A 01	+ Rd55 A 05
185 mm~204 mm	Rd55 F 01	+ Rd55 A 02	+ Rd55 A 05
205 mm~224 mm	Rd55 F 01	+ Rd55 A 03	+ Rd55 A 05
225 mm~244 mm	Rd55 F 01	+ Rd55 A 04	+ Rd55 A 05



② DETAYI
DETAIL

01

02

03

04

05

06

07

08

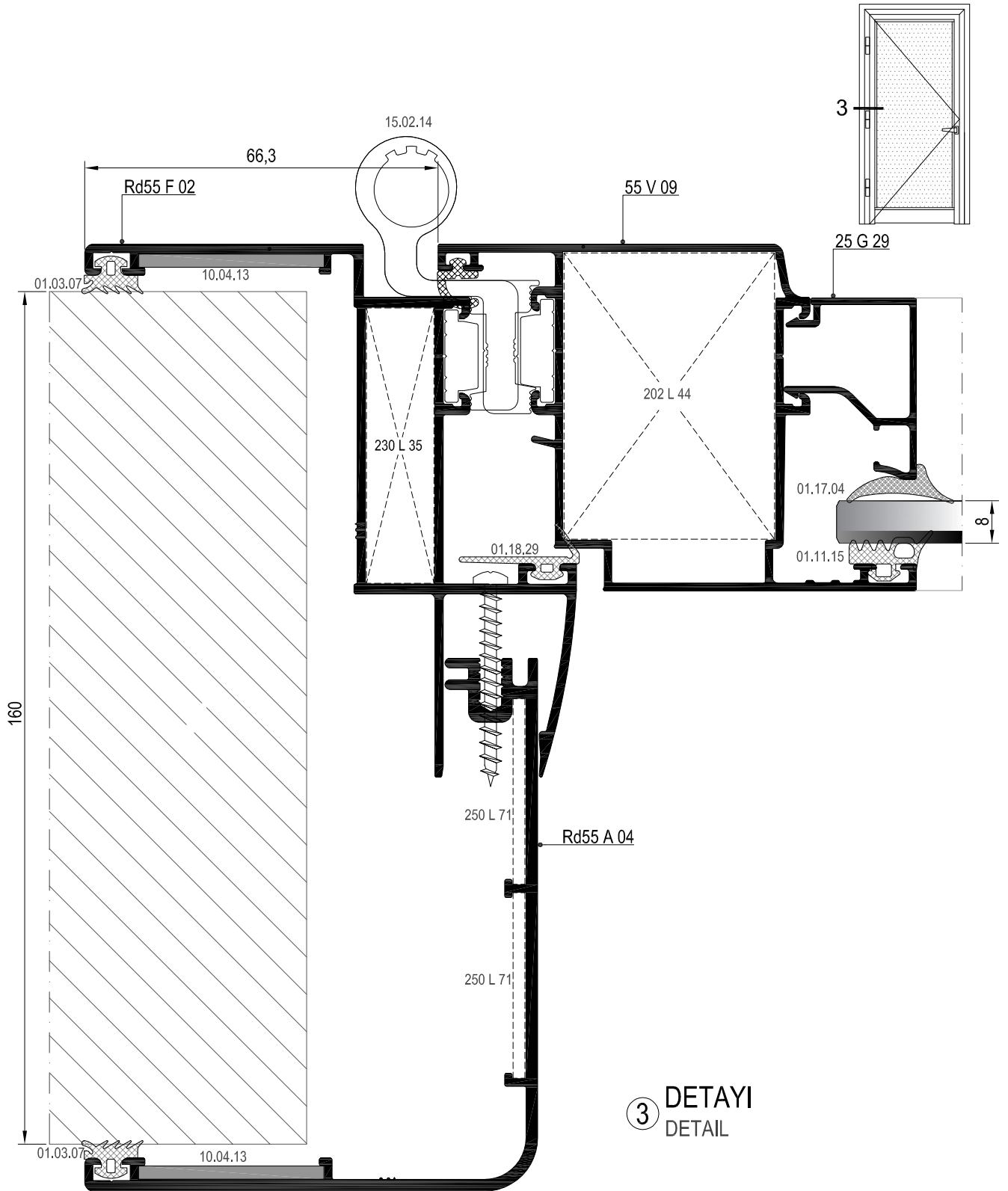
09

10

11

DETYLAR
DETAILS

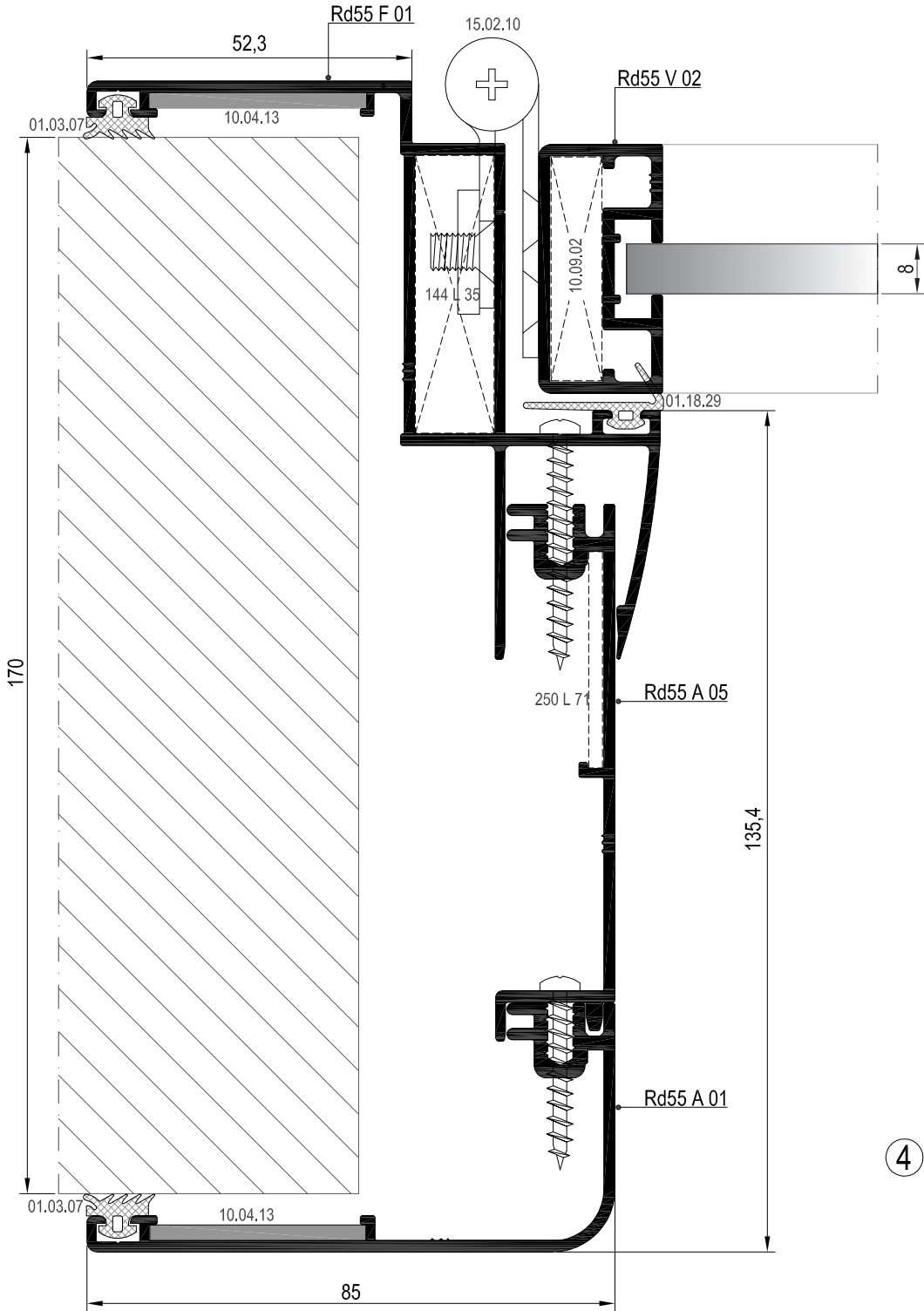
Rd55



③ DETAYI
DETAIL

DUVAR KALINLIĞI WALL THICKNESS	KASA PROFİLİ FRAME PROFILE	PERVAZ PROFİLİ SILL PROFILE	ADAPTÖR PROFİLİ ADAPTER PROFILE
90 mm~109 mm	Rd55 F 02	+ Rd55 A 01	+ ----
110 mm~129 mm	Rd55 F 02	+ Rd55 A 02	+ ----
130 mm~149 mm	Rd55 F 02	+ Rd55 A 03	+ ----
150 mm~169 mm	Rd55 F 02	+ Rd55 A 04	+ ----

DUVAR KALINLIĞI WALL THICKNESS	KASA PROFİLİ FRAME PROFILE	PERVAZ PROFİLİ SILL PROFILE	ADAPTÖR PROFİLİ ADAPTER PROFILE
170 mm~185 mm	Rd55 F 02	+ Rd55 A 01	+ Rd55 A 05
189 mm~209 mm	Rd55 F 02	+ Rd55 A 02	+ Rd55 A 05
210 mm~229 mm	Rd55 F 02	+ Rd55 A 03	+ Rd55 A 05
230 mm~249 mm	Rd55 F 02	+ Rd55 A 04	+ Rd55 A 05



④ DETAYI
DETAIL

01

02

03

04

05

06

07

08

09

10

11

MİMARİ KATALOG

ARCHITECTURAL CATALOGUE

Alüminyum Kapı Pencere ve Giydirme Cephe Sistemleri
Aluminium Window Doors and Facade Systems

Rd55

AKSESUARLAR

ACCESSORIES

01

02

03

04

05

06


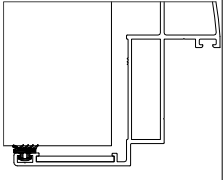

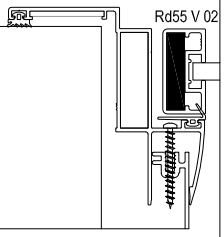

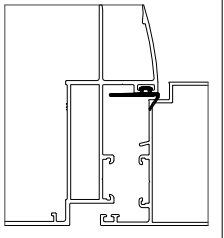
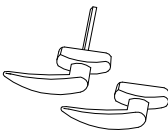
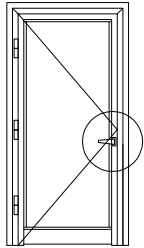
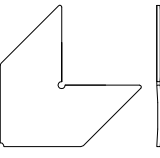
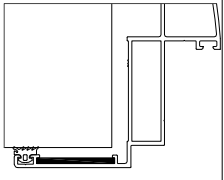

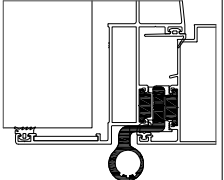
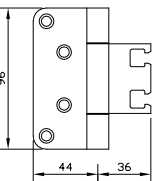
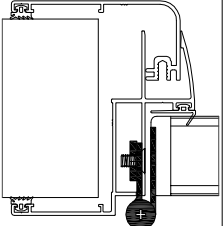

07

08

09

10

11

01		01.03.07 BINİ FİTLİ ACOUSTICAL GASKET Malzeme / Material : EPDM Ağırlık / Weight : 55 gr/m Paket / Package: 270m / 15 kg			10.09.02 KÖŞE BAĞLANTI CORNER CONNECTION PIECE	
02		01.18.29 BINİ FİTLİ ACOUSTICAL GASKET Malzeme / Material : EPDM Ağırlık / Weight : 64 gr/m Paket / Package: 234 m / 15 kg				
03		07.14.04 KAPI KOLU DOOR HANDLE Malzeme / Material :- Renk: Siyah-Beyaz-Gri Color: Black-White-Grey				
04		10.04.13 KÖŞE ÇAVUŞU CORNER PIECE Malzeme: Paslanmaz Çelik Material :Stainless Steel				
05		15.02.09 YERLİ KAPI MENTEŞESİ LOCAL HINGE FOR DOORS Renk: Siyah-Beyaz-Gri-Eloksal Color: Black-White-Grey-Anodised 85kg için 3adet kullanılmalıdır./Should be used 3 for 85kg. Max.kanat ölçüsü 900x2200./Max.vent dimension 900x2200				
06		15.02.10 KAPI MENTEŞESİ DOOR HINGE Renk: Siyah-Beyaz-Gri-Eloksal Color: Black-White-Grey-Anodised				
07		15.02.14 GIESSE KAPI MENTEŞESİ GIESSE HINGE FOR DOORS Renk: Siyah-Beyaz-Gri-Eloksal Color: Black-White-Grey-Anodised 100kg için 2adet, 120kg için 3adet kullanılmalıdır./Should be used 2for 100kg, 3for 120kg. EN 1935	