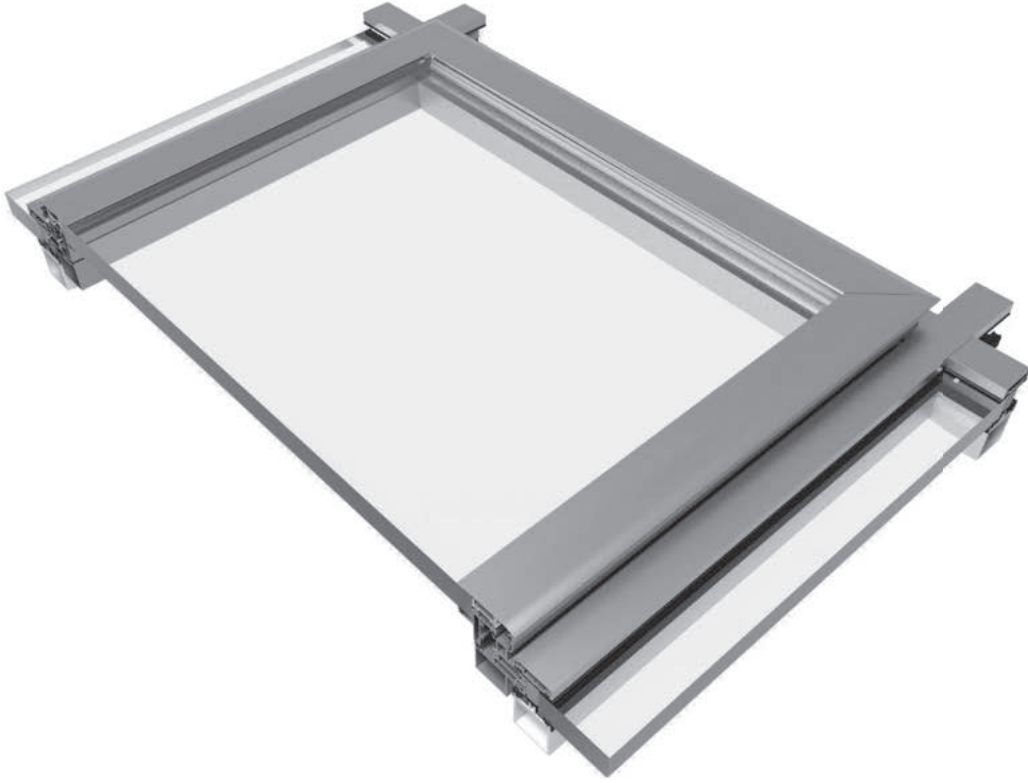


# MİMARİ KATALOG

## ARCHITECTURAL CATALOGUE

Alüminyum Kapı Pencere ve Giydirme Cephe Sistemleri  
Aluminium Window Doors and Facade Systems



# RSK 50



# MİMARİ KATALOG

## ARCHITECTURAL CATALOGUE

Alüminyum Kapı Pencere ve Giydirme Cephe Sistemleri  
Aluminium Window Doors and Facade Systems

# RSK 50

PROFİLLER

PROFILES

01

02

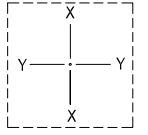
03

04

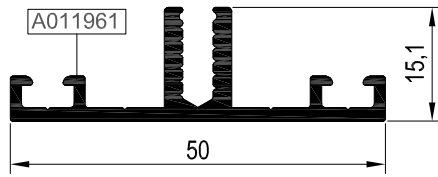
05

06

KOD / CODE	AĞIRLIK (kg/m) / WEIGHT	Jxx cm <sup>4</sup>	Jyy cm <sup>4</sup>	L m
RSK50 M 01	0,508	0,311	3,252	6



RSK50 M 01



01

02

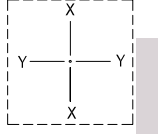
03

04

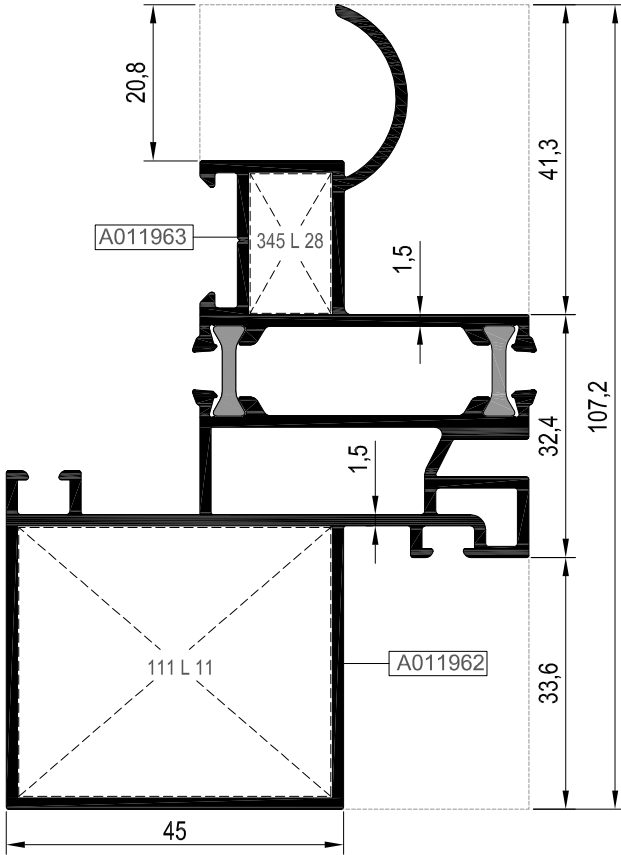
05

06

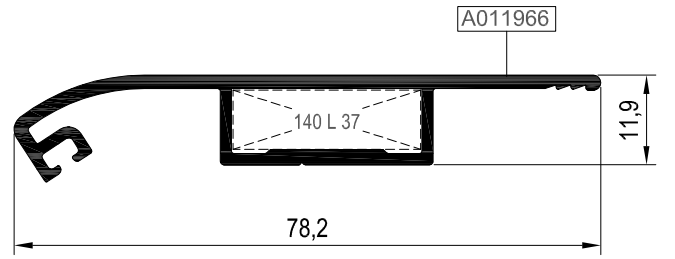
KOD / CODE	AĞIRLIK (kg/m)/ WEIGHT	Jxx cm4	Jyy cm4	L m
ARSK50F01	2,054	21,828	48,982	6
ARSK50V01	1,200	4,691	14,085	6
RSK50 A 01	0,666	0,488	11,018	6



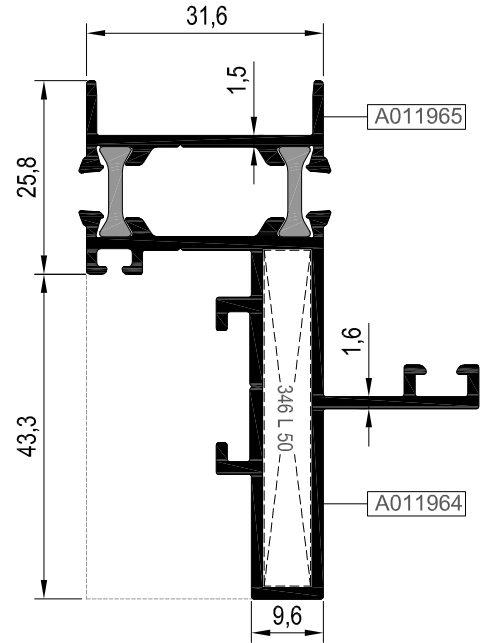
ARSK50F01



RSK50 A 01



ARSK50V01

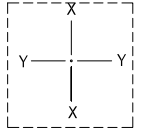


Nr	KÖŞE BAĞLANTI PROFİLİ PROFİL KOD NUMARASI		KÖŞE BAĞLANTI PROFİLİ PARÇA KOD NUMARASI		KEŞİM ÖLÇÜSÜ
ARSK50F01	A011962	A002126 (25 L 11)	111 L 11		35,9 mm
	A011963	A010542 (25 L 28)	345 L 28		18,7 mm
ARSK50V01	A011964	A010838 (25 L 50)	346 L 50		44,8 mm

BASKI KAPAK PROFİLLERİ  
CAP PROFILES

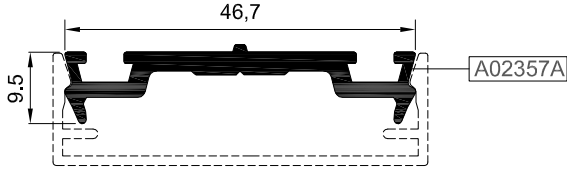
# RSK50

KOD/ CODE	AĞIRLIK (kg/m)/ WEIGHT	L m	KOD/ CODE	AĞIRLIK (kg/m)/ WEIGHT	L m
R50 P 01	0,428	6	R50 P 43	0,404	6
R50 P 03	0,360	6	R50 P 44	0,241	6
R50 P 15	0,323	6			
R50 P 16	0,268	6			

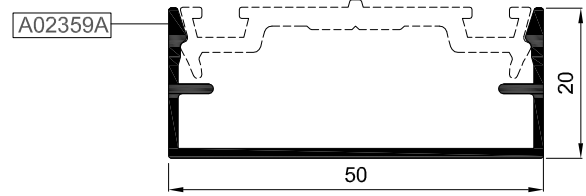


01

R50 P 01

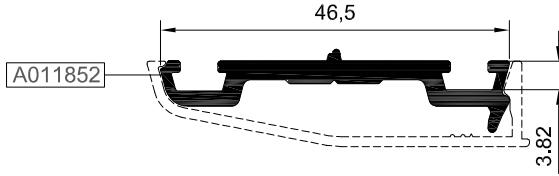


R50 P 03

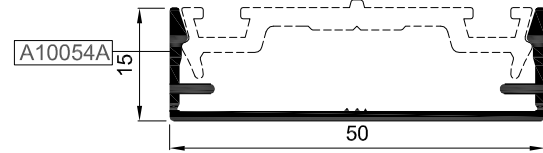


02

R50 P 43



R50 P 15



03

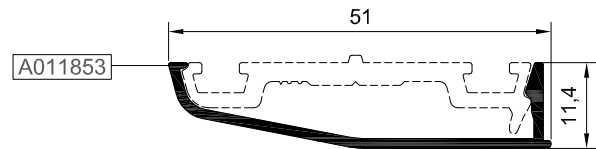
04

R50 P 16



05

R50 P 44



06

# KÖŞE TAKOZLARI CORNER CLEATS

# RSK50

PROFİL KODU (PROFILE CODE)	25 L 28	25 L 50	25 L 11	25 L 37
FABRİKA KODU(FACTORY CODE)	A010542	A010838	A002126	A002398
AĞIRLIK (WEIGHT)	3,689 kg/m	1,748 kg/m	6,733 kg/m	7,971 kg/m
ÇİZİM (DRAWING)				

Nr		KESİM ÖLÇÜSÜ CUTTING SIZE	AKS. KODU ACS. CODE	
ARSK50F01	A011962	25 L 11 (A002126)	35,9 mm	111 L 11
	A011963	25 L 28 (A010542)	18,7 mm	345 L 28
ARSK50V01	A011964	25 L 50 (A010838)	44,8 mm	346 L 50
RSK50 A 01	A011966	25 L 37 (A002398)	7,8 mm	140 L 37

01

02

03

04

05

06





# MİMARİ KATALOG

## ARCHITECTURAL CATALOGUE

Alüminyum Kapı Pencere ve Giydirme Cephe Sistemleri  
Aluminium Window Doors and Facade Systems

# RSK 50

DETAYLAR

DETAILS

01

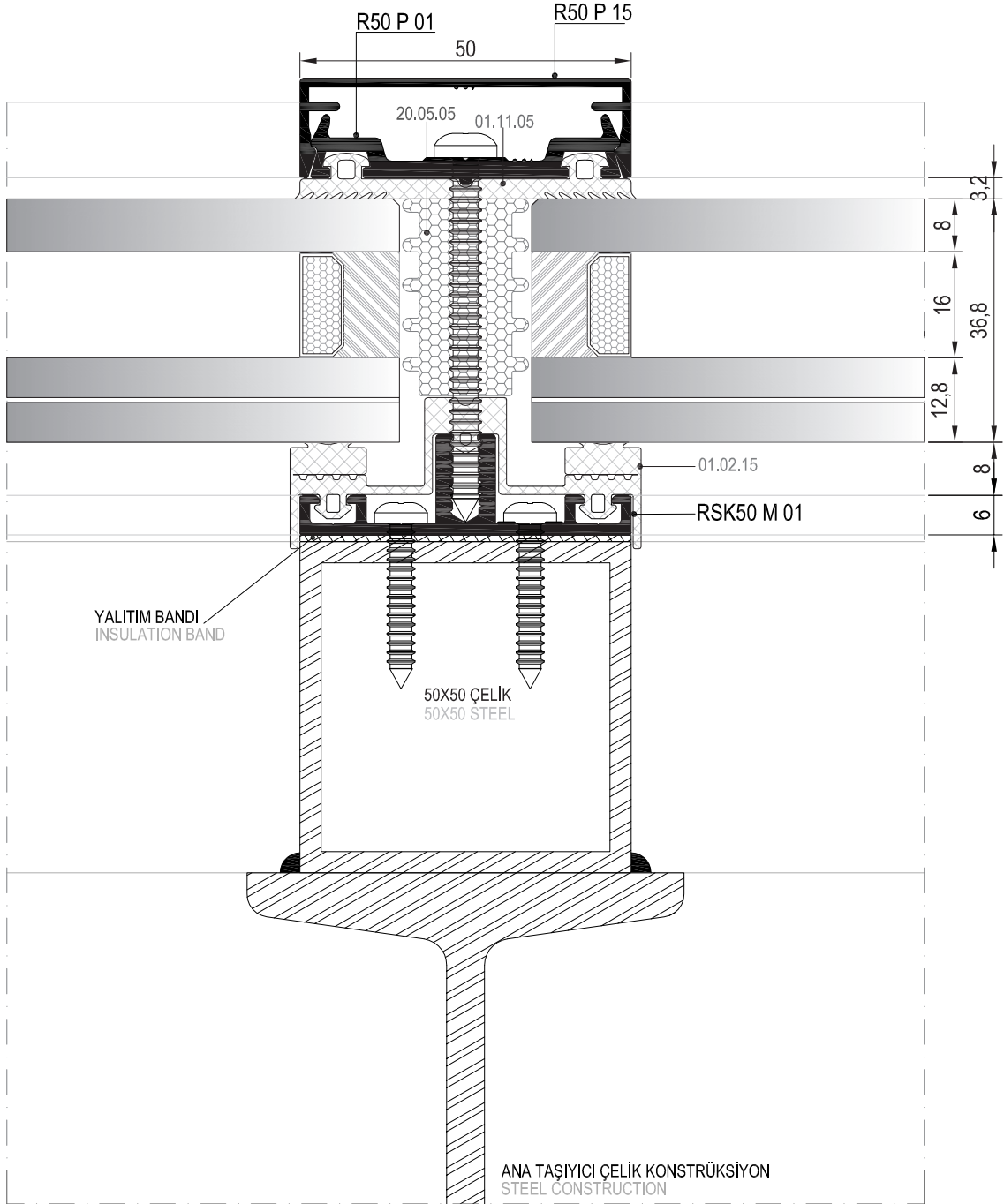
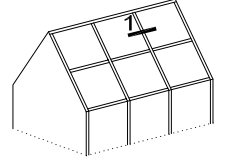
02

03

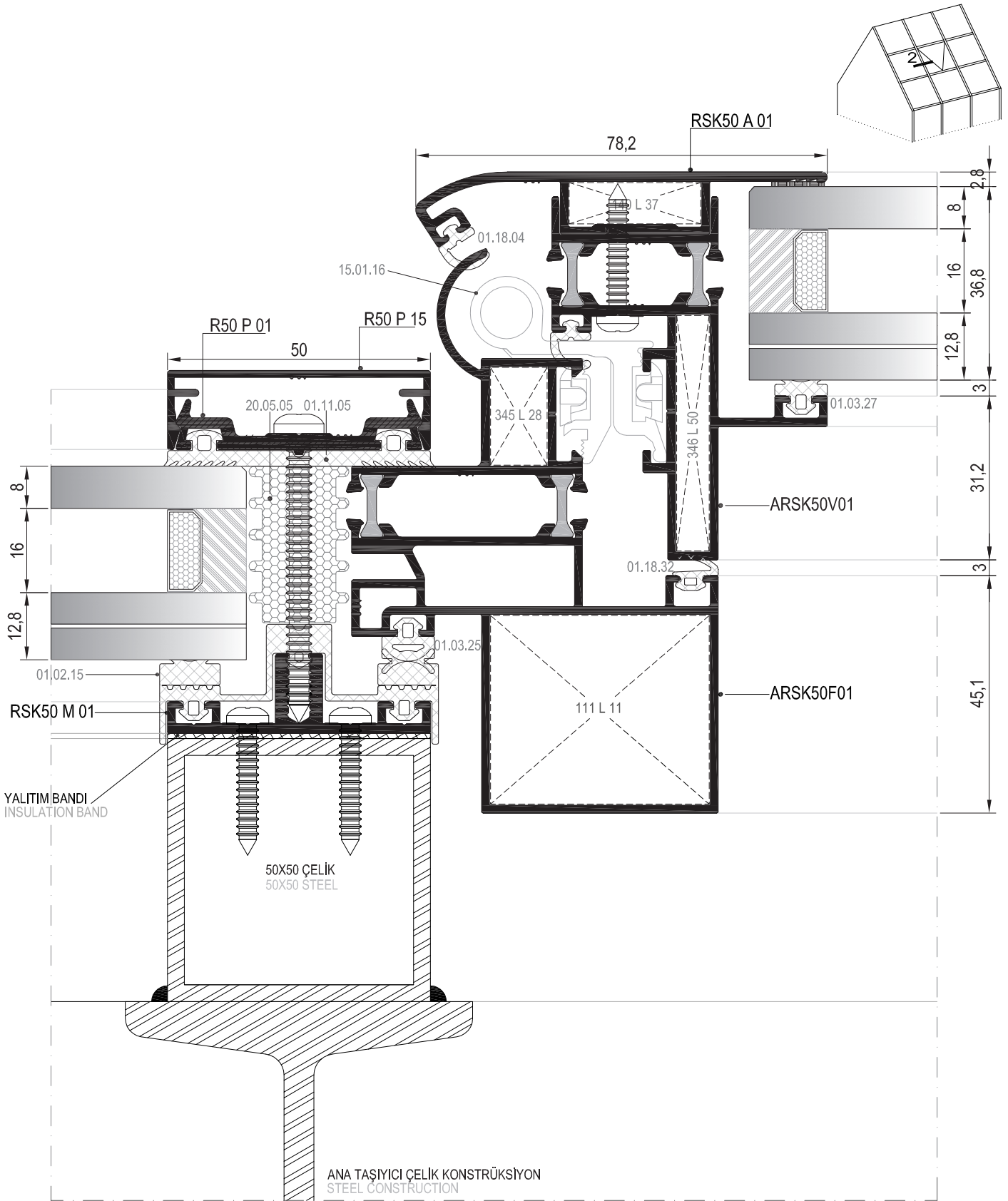
04

05

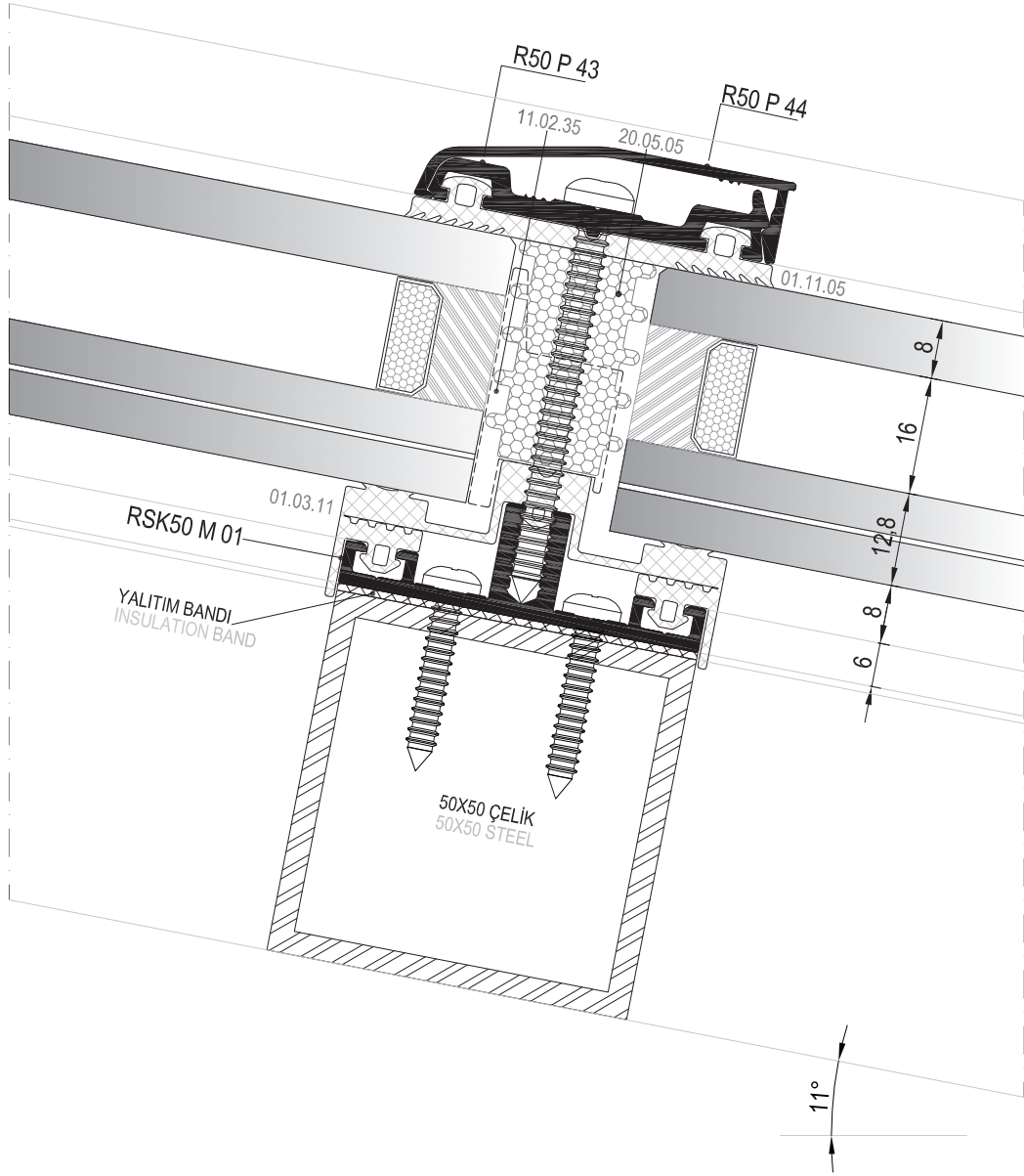
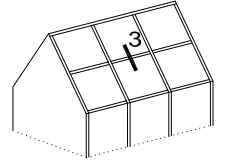
06



① DETAYI  
DETAIL



② DETAYI  
DETAIL



01

02

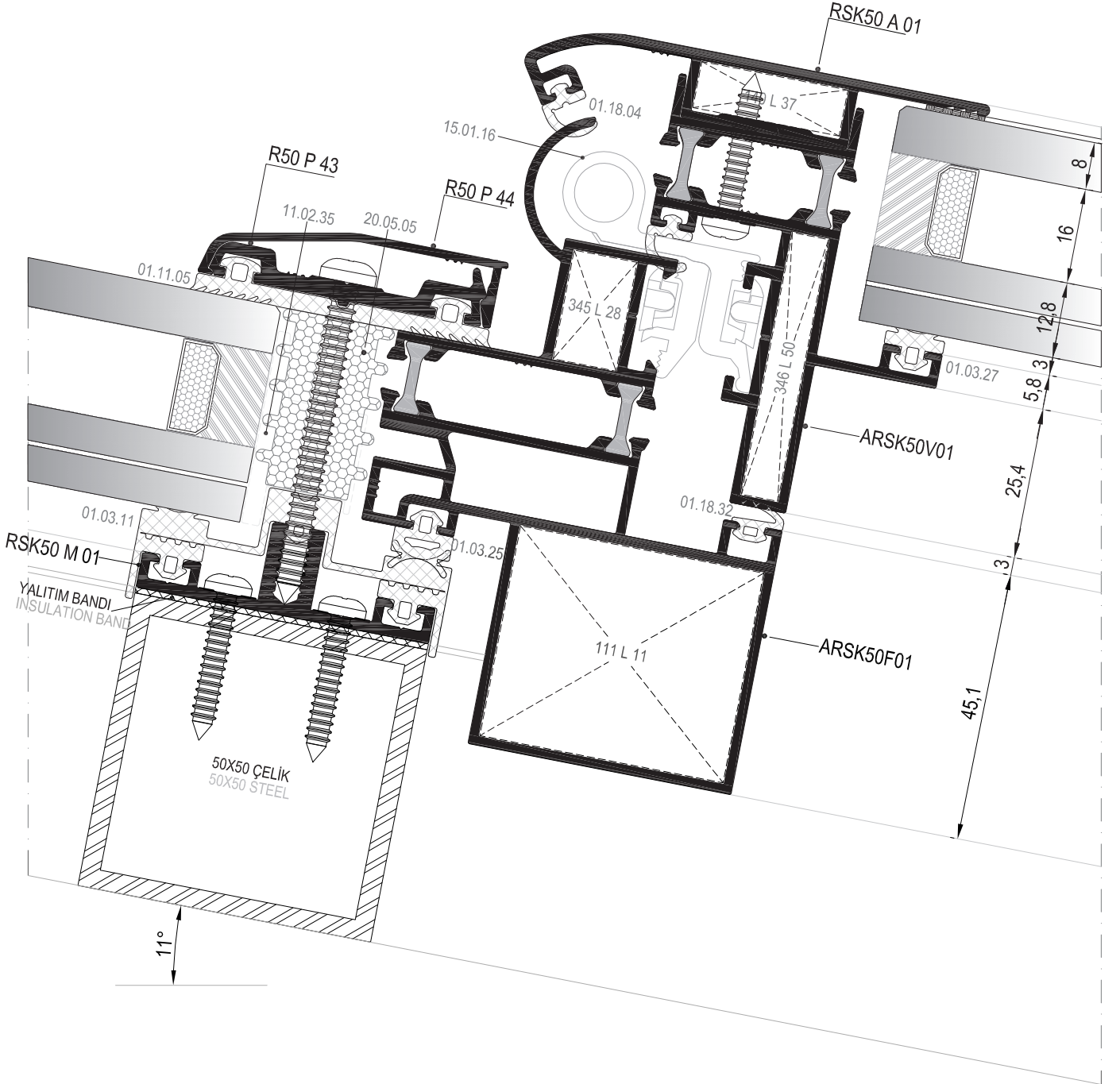
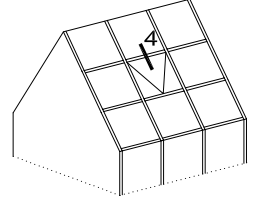
03

04

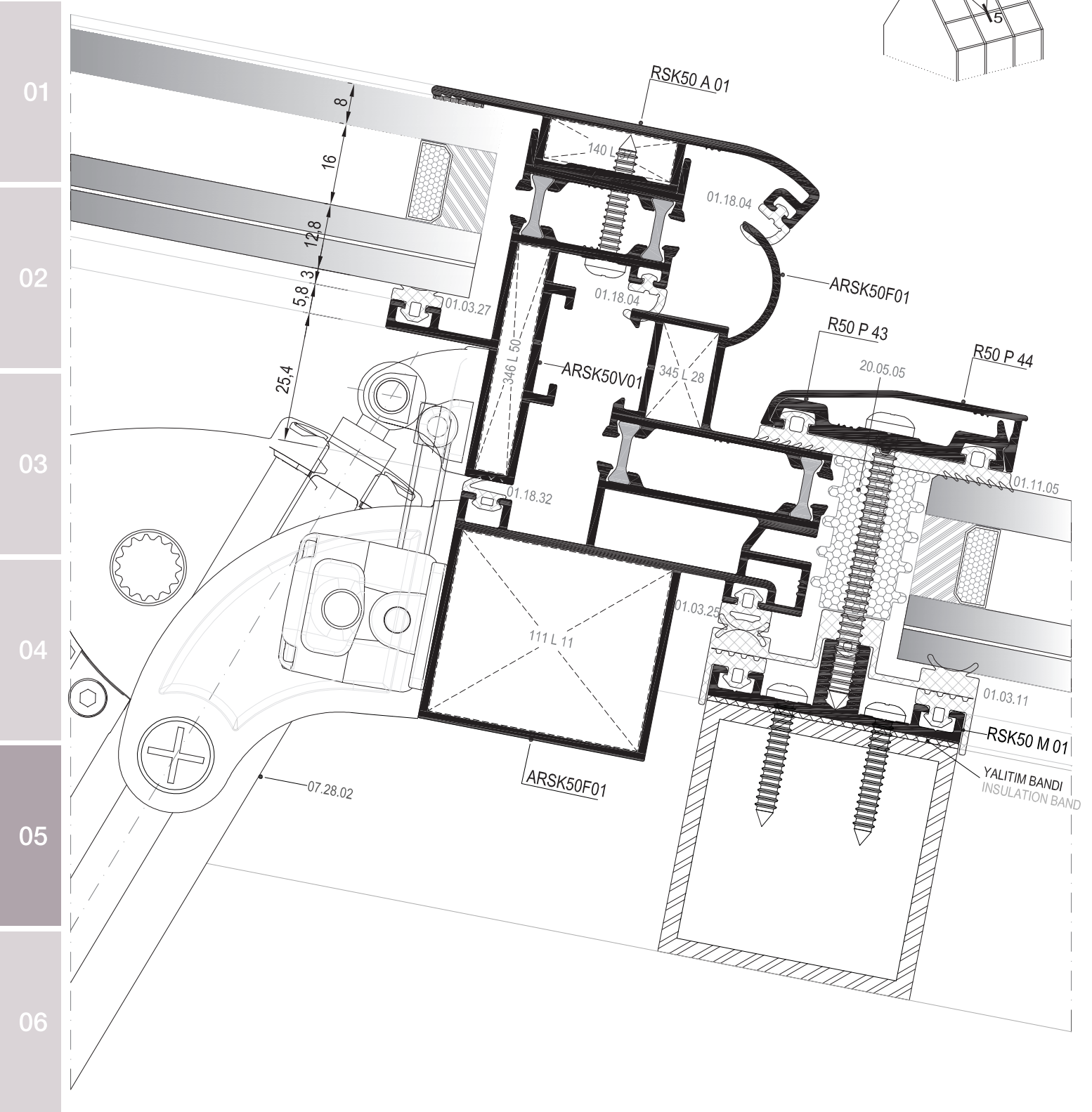
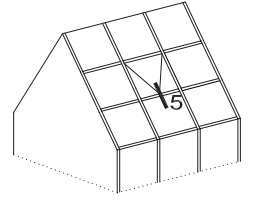
05

06

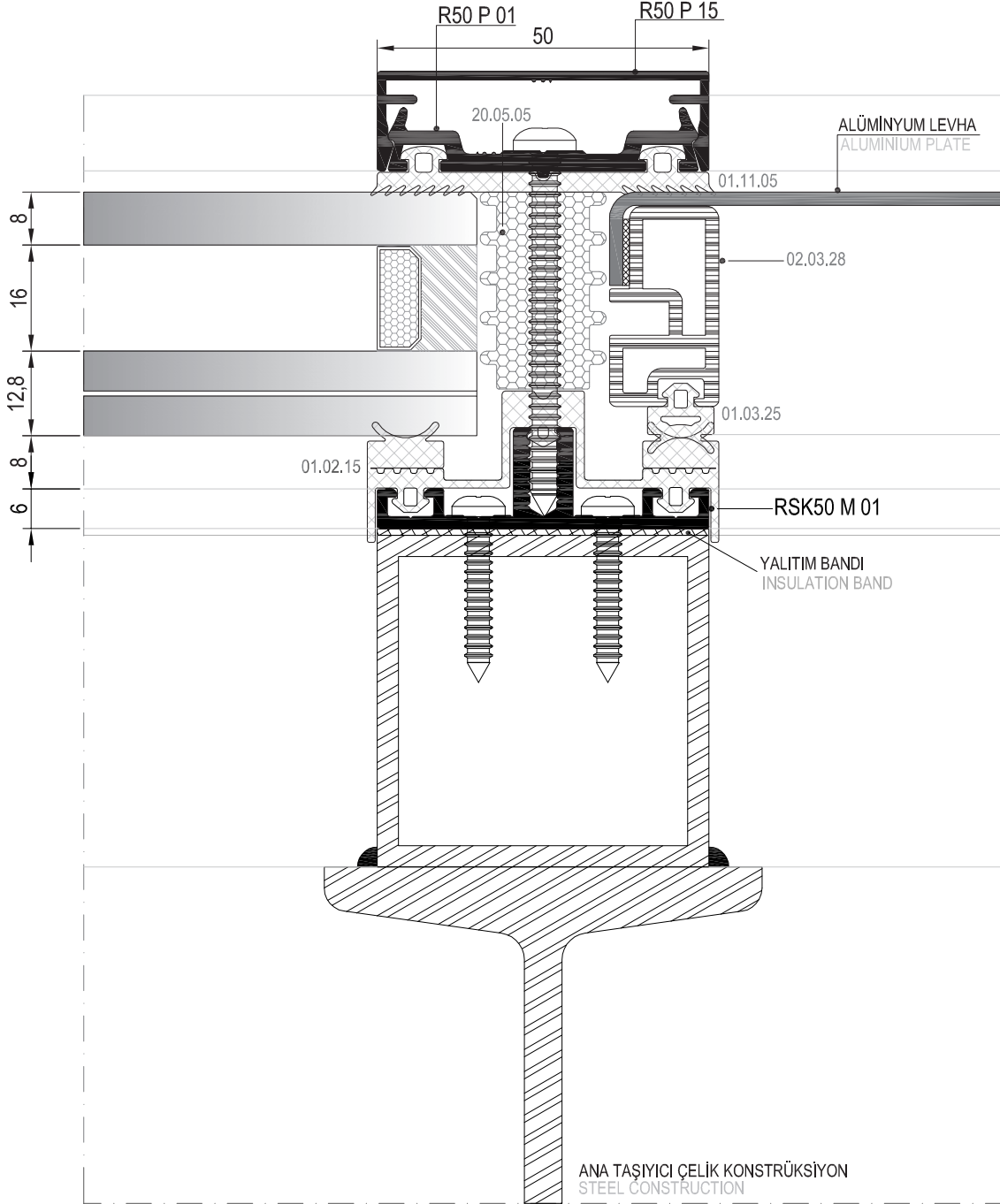
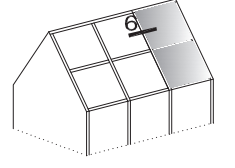
③ DETAYI  
DETAIL



4 DETAYI  
DETAIL



5 DETAYI  
DETAIL



01

02

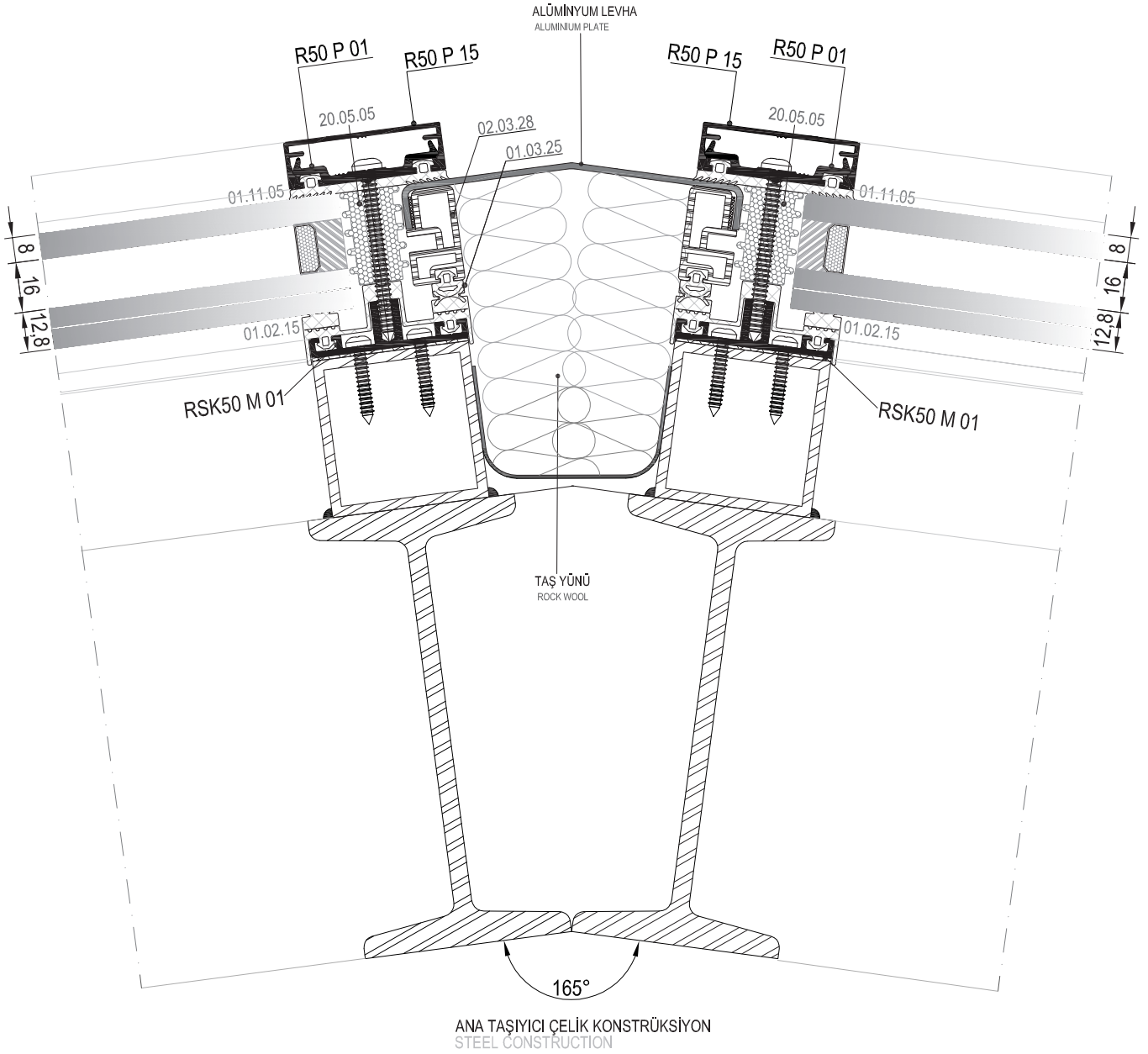
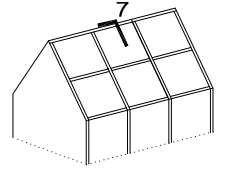
03

04

05

06

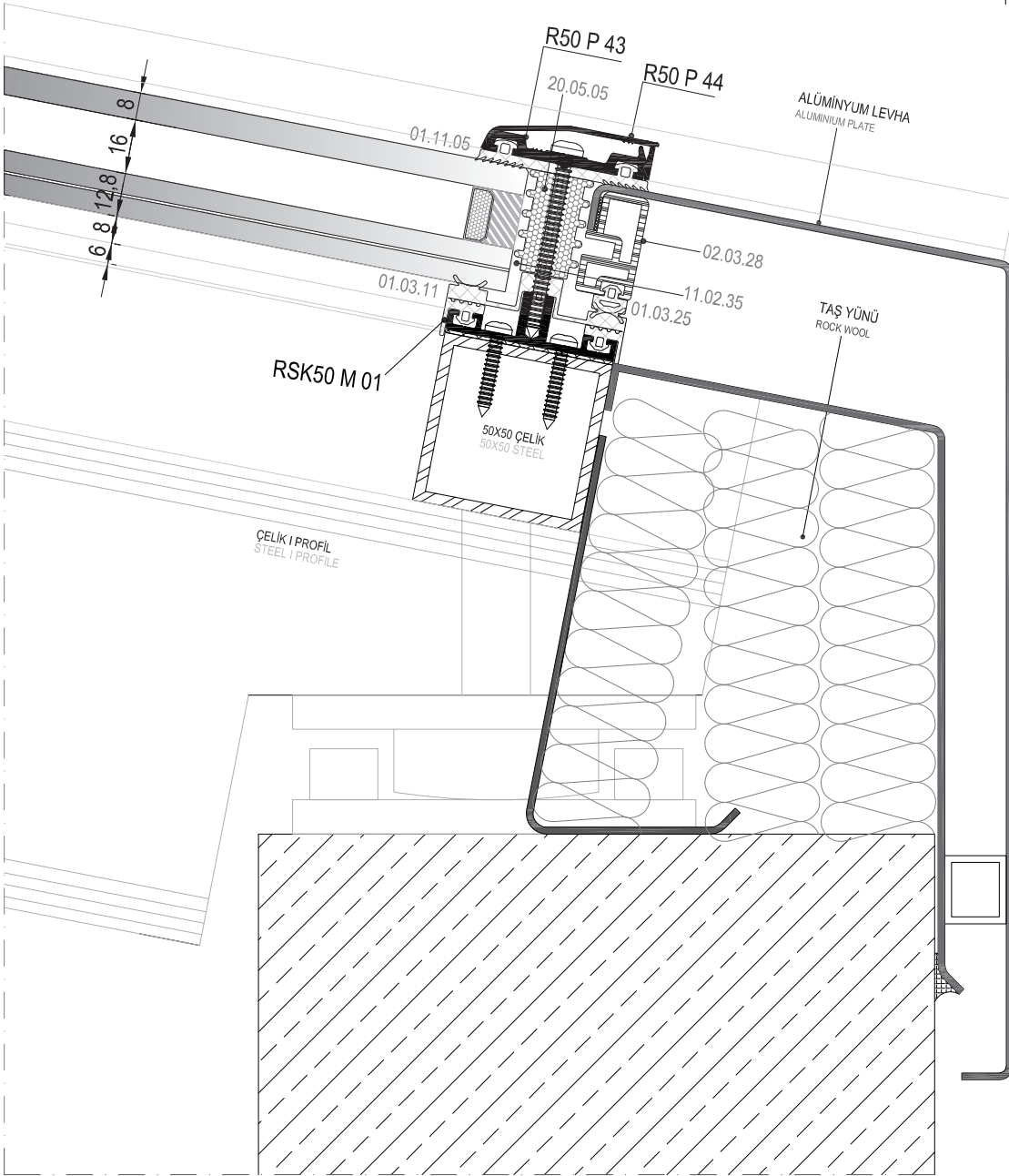
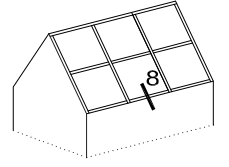
6 DETAYI  
DETAIL



Ölçek/Scale 1/2

7 DETAYI  
DETAIL





01

02

03

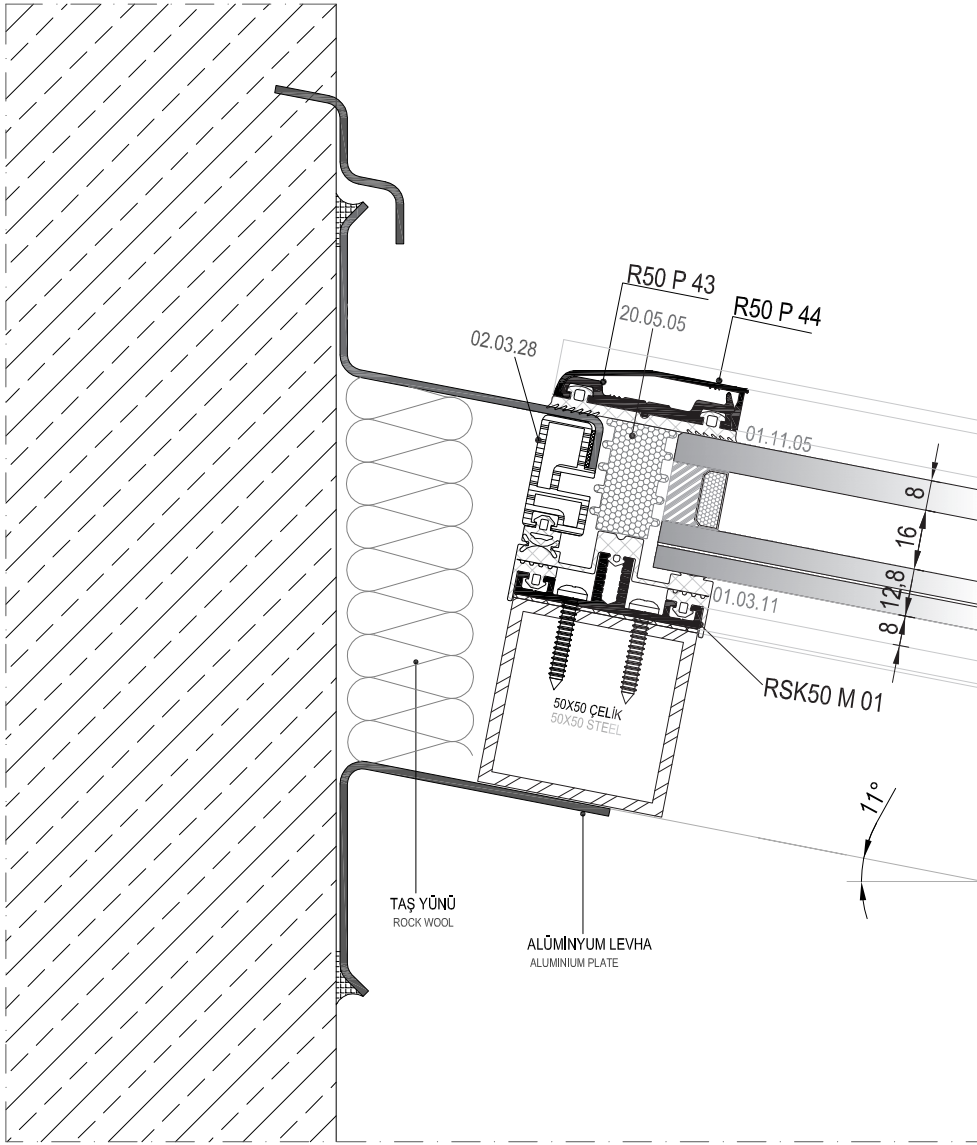
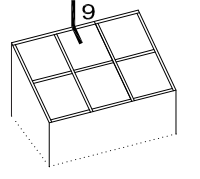
04

05

06

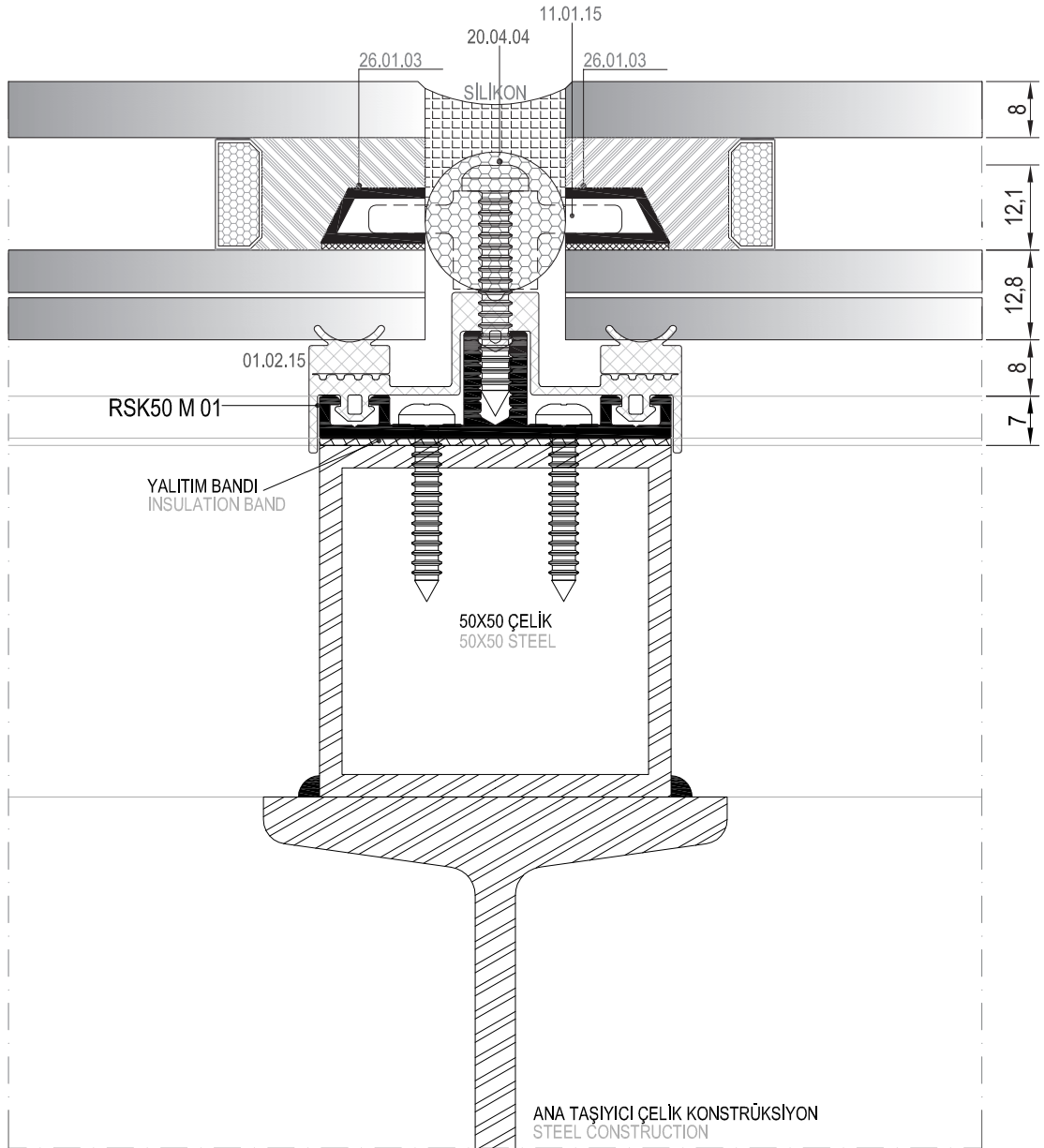
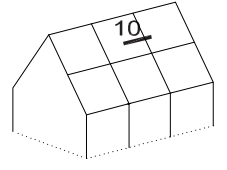
Ölçek/Scale 1/2

8 DETAYI  
DETAIL



Ölçek/Scale 1/2

9 DETAYI  
DETAIL



01

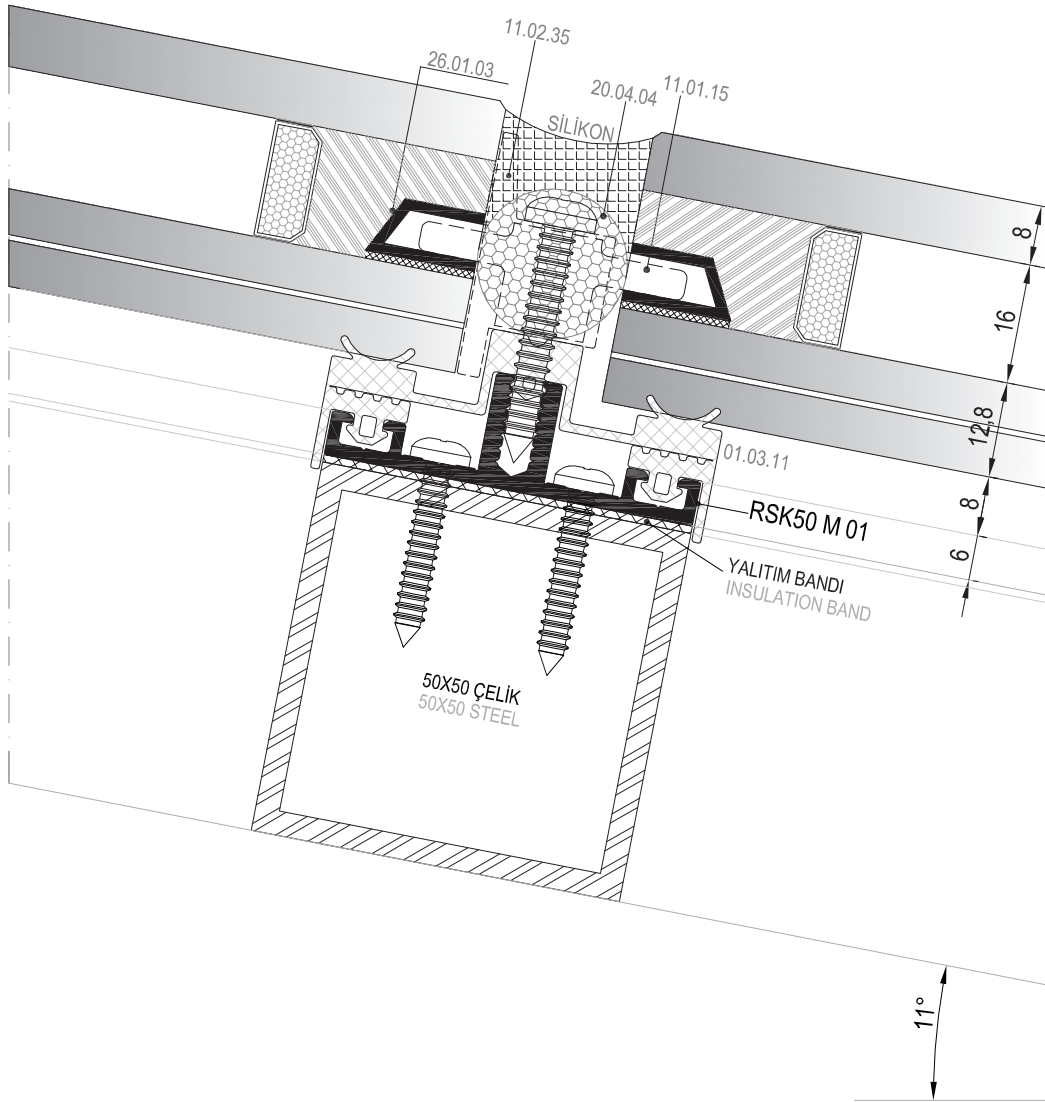
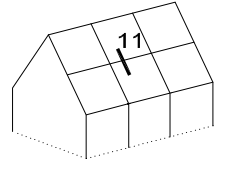
02

03

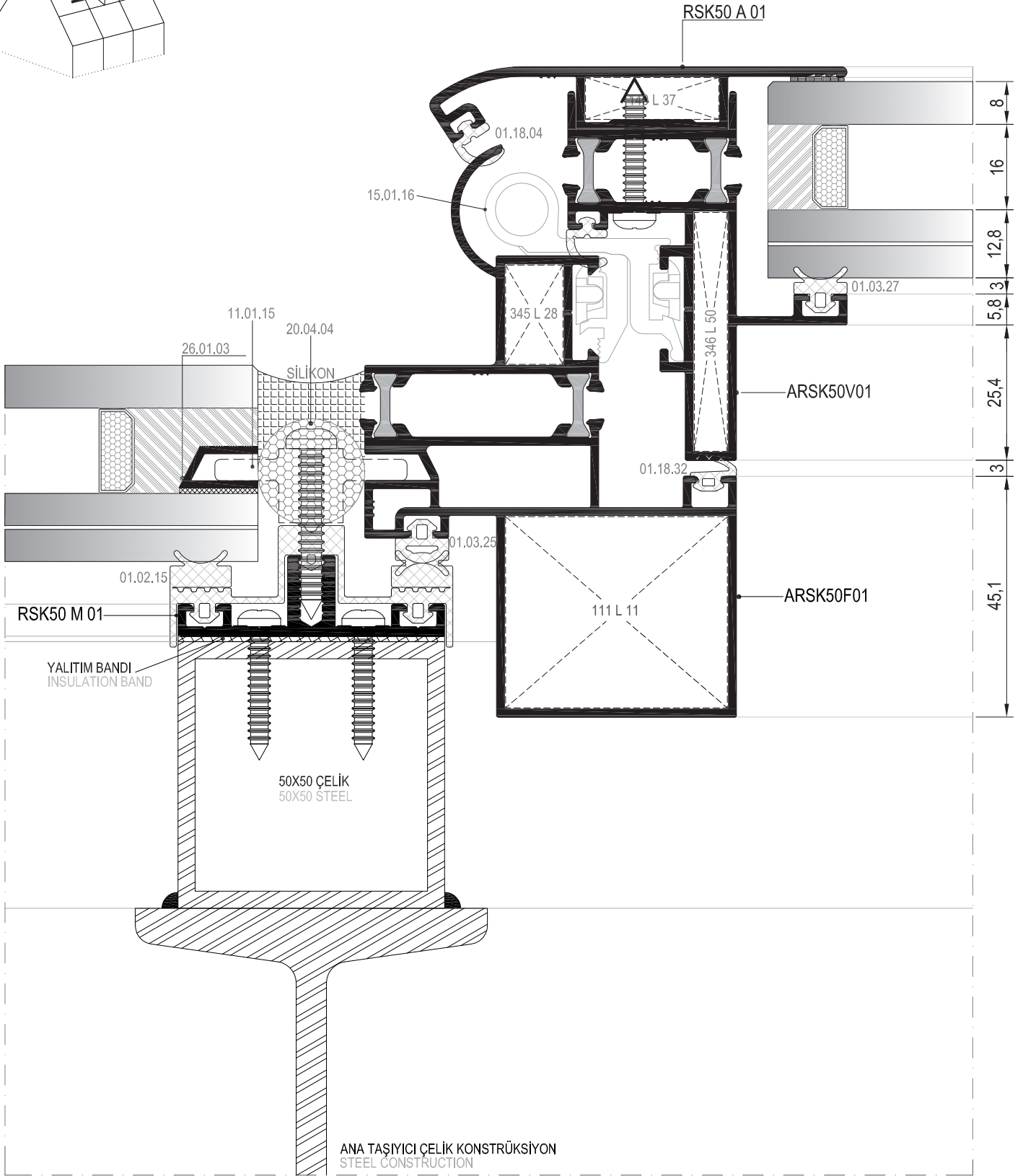
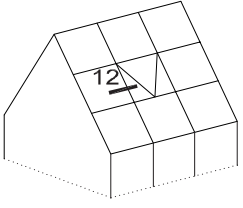
04

05

06



11 DETAYI  
DETAIL



01

02

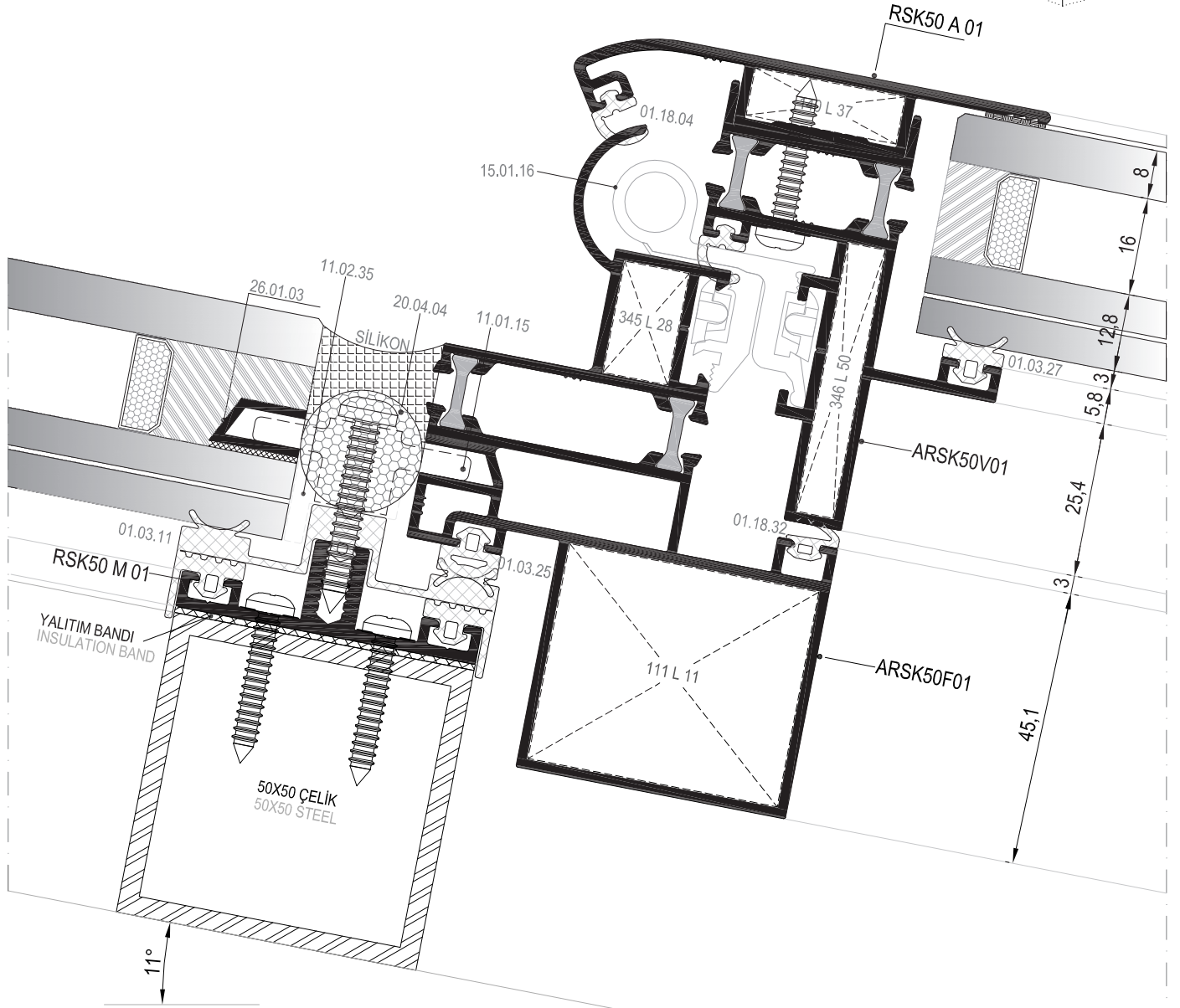
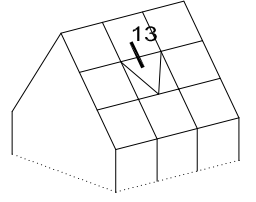
03

04

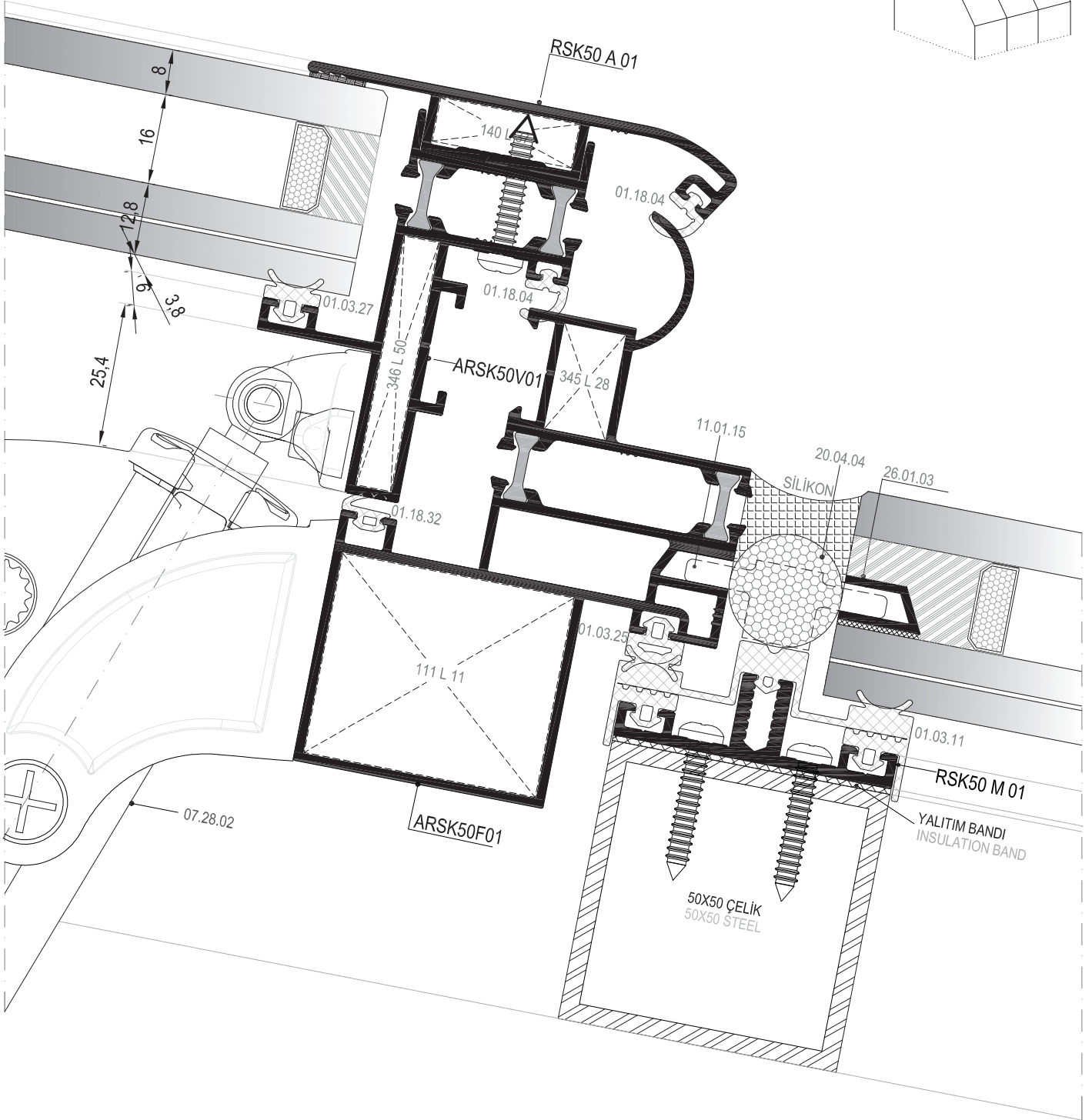
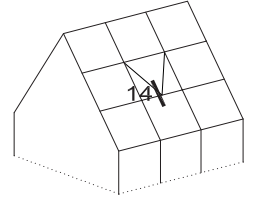
05

06

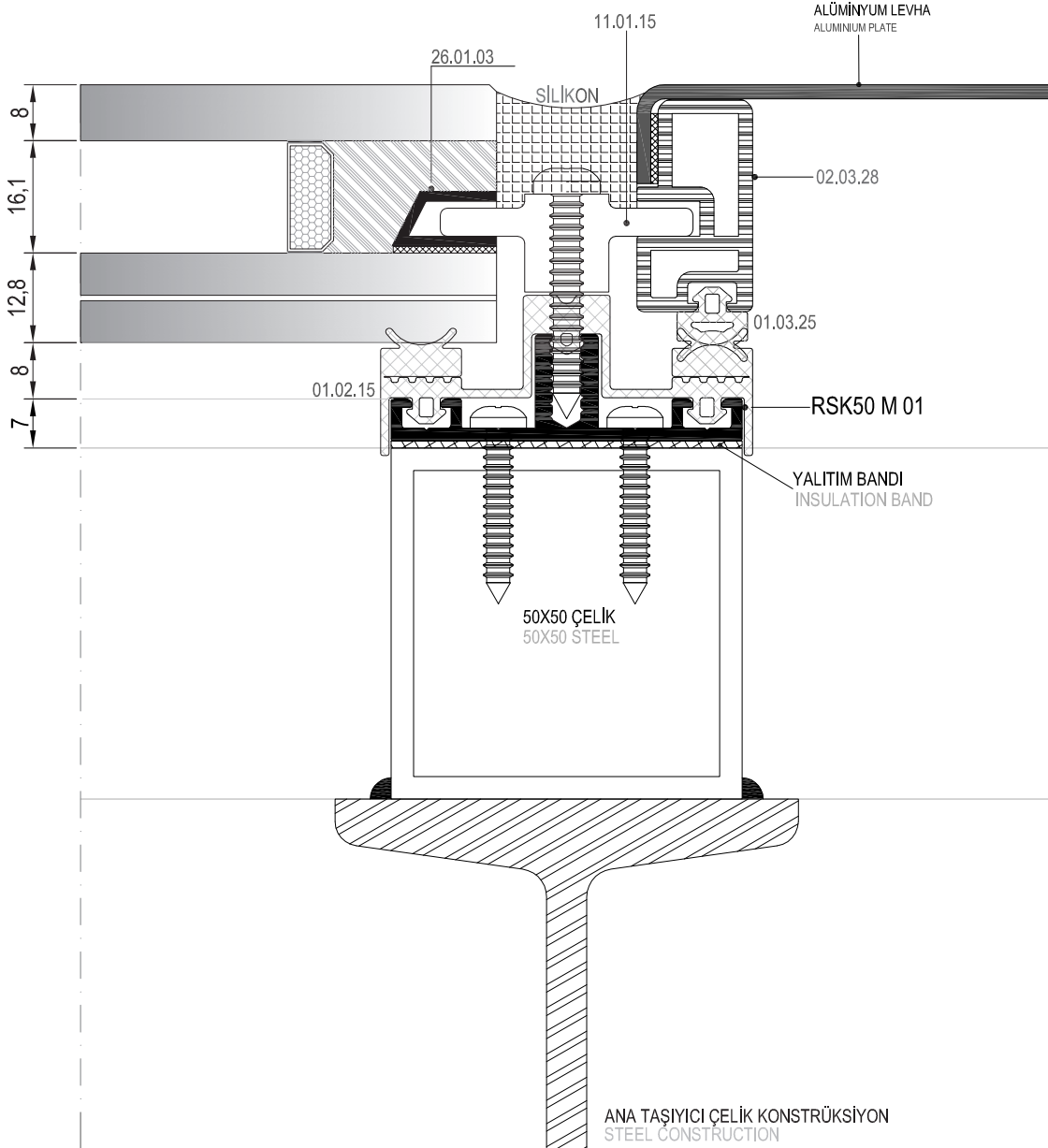
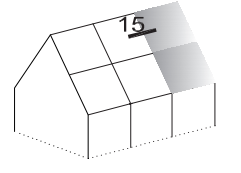
12 DETAYI  
DETAIL



13 DETAYI  
DETAIL



14 DETAYI  
DETAIL



01

02

03

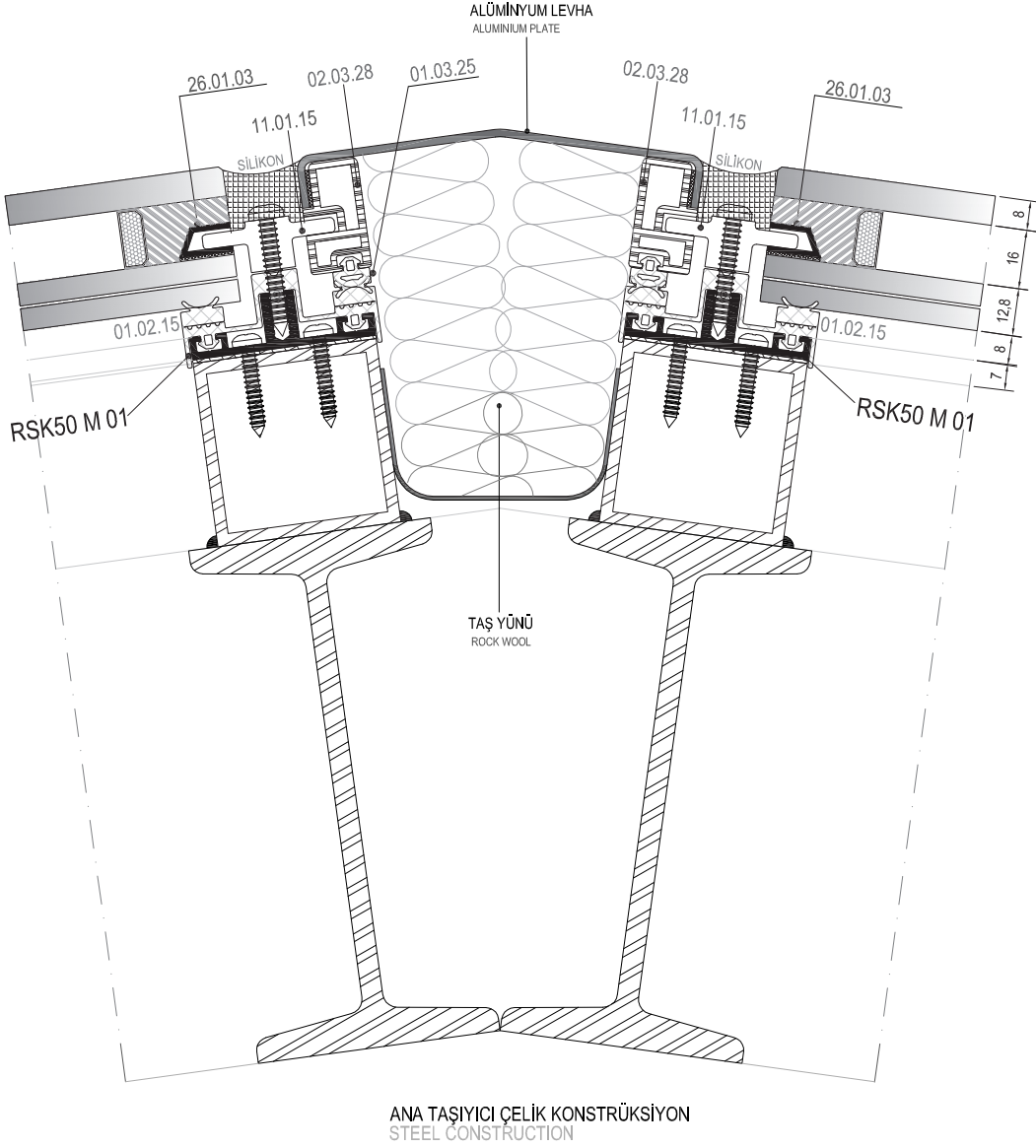
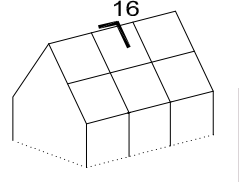
04

05

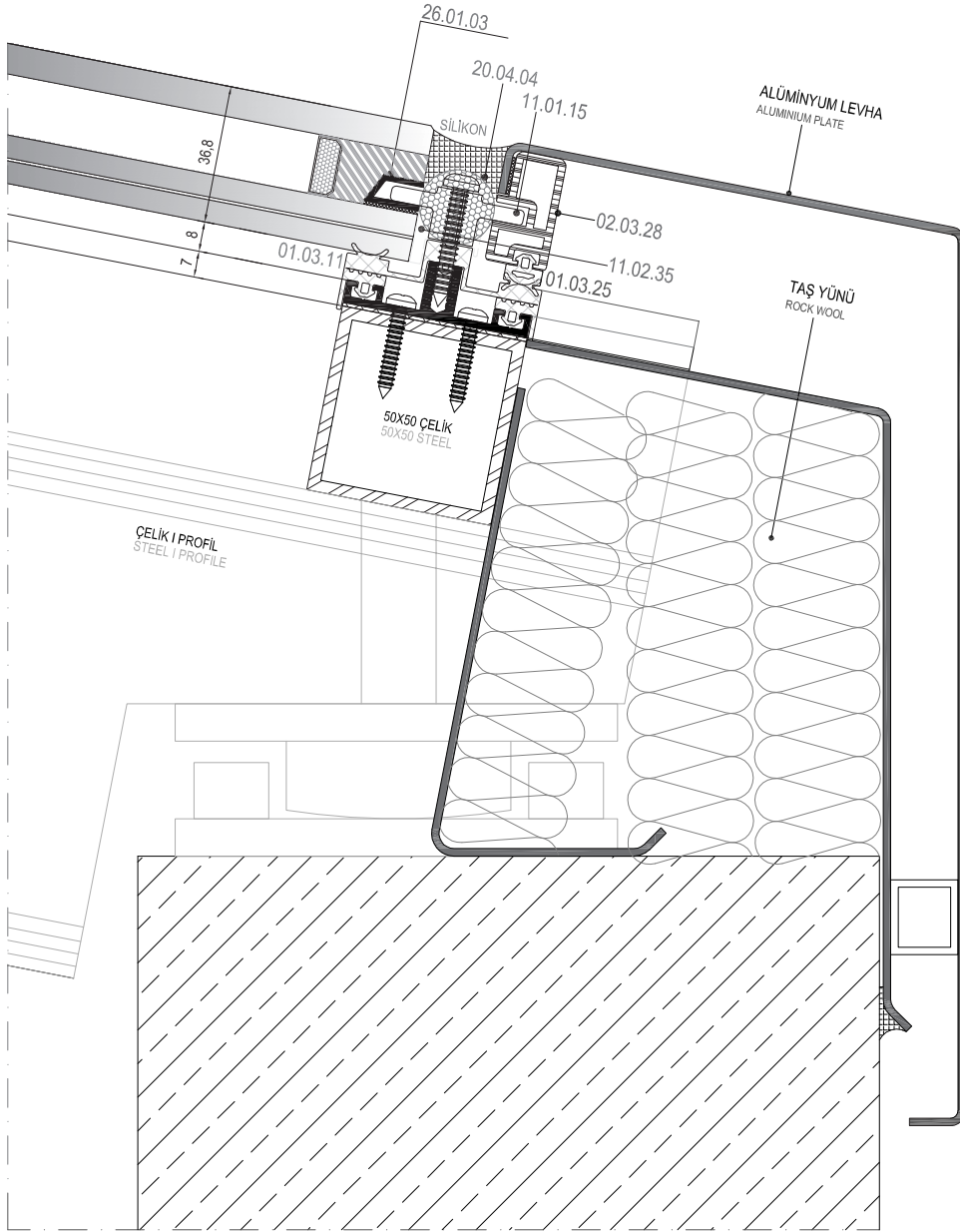
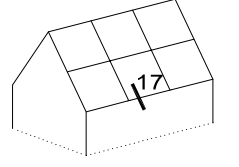
06

15 DETAYI  
DETAIL



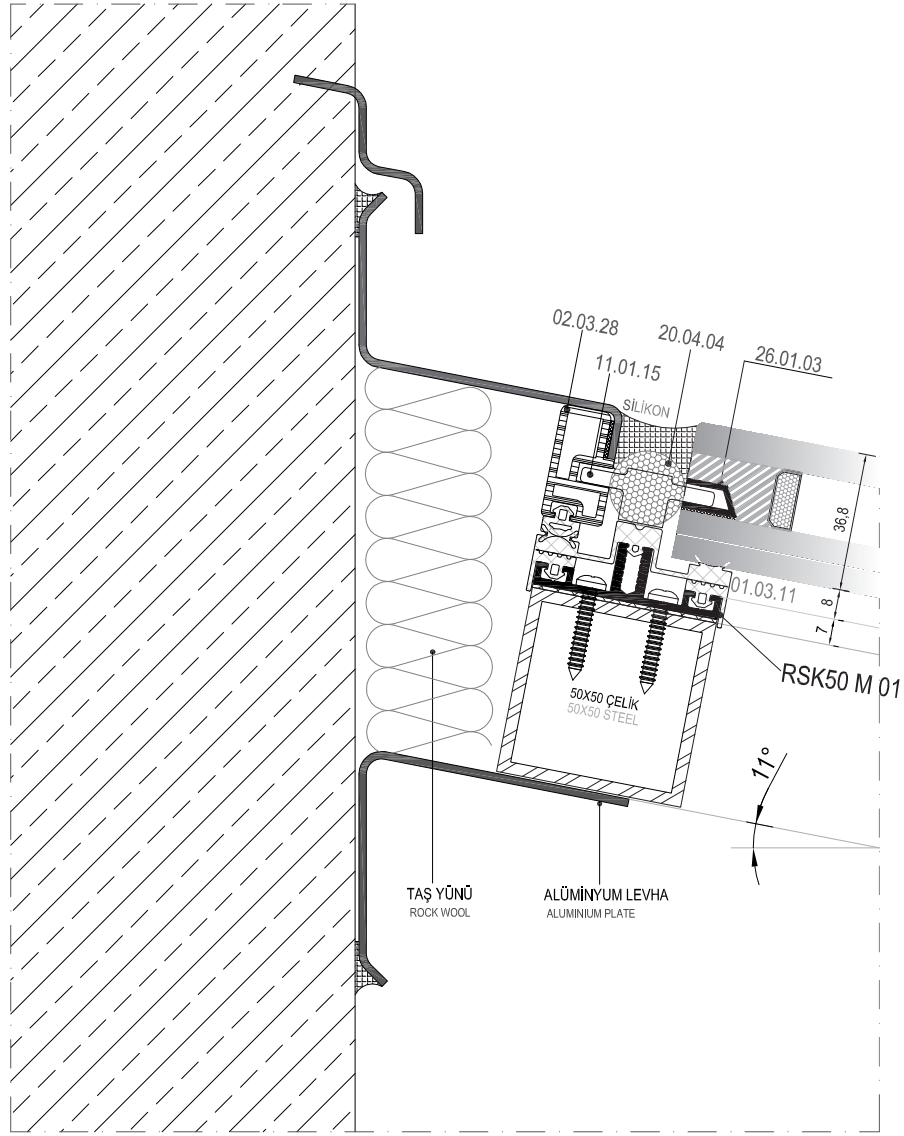
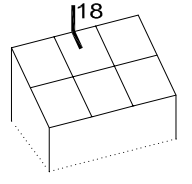


Ölçek/Scale 1/2



Ölçek/Scale 1/2

17 DETAYI  
DETAIL



Ölçek/Scale 1/2

01

02

03

04

05

06



# MİMARİ KATALOG

## ARCHITECTURAL CATALOGUE

Alüminyum Kapı Pencere ve Giydirme Cephe Sistemleri  
Aluminium Window Doors and Facade Systems

# RSK 50

AKSESUARLAR

ACCESSORIES

01

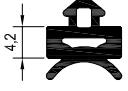
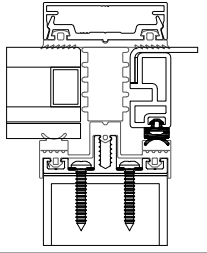

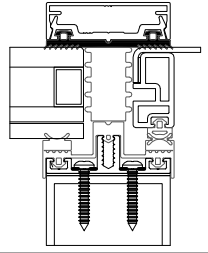
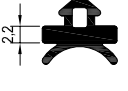
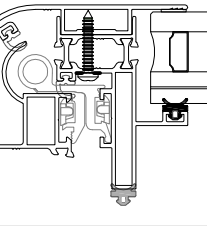

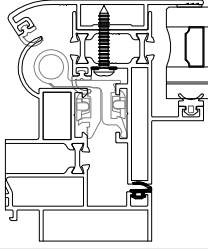

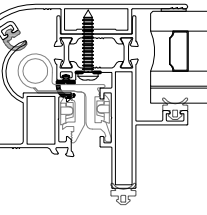
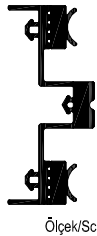
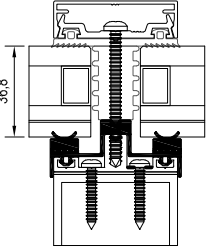
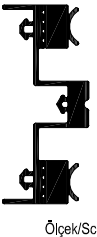
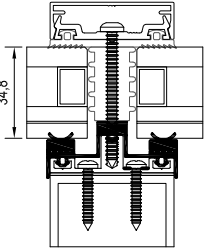

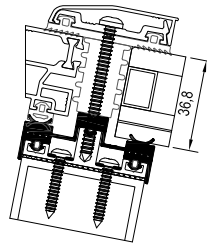
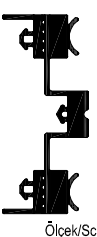
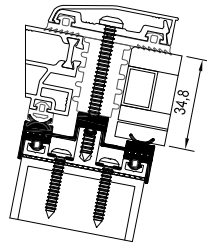
02

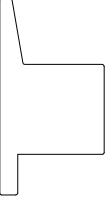
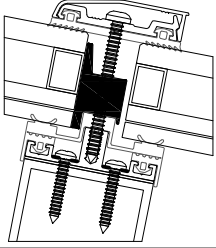
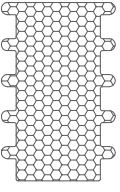
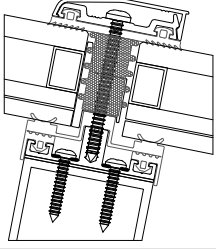
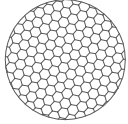
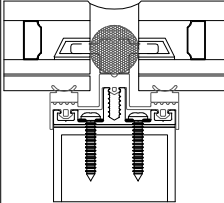
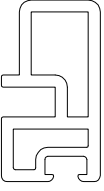
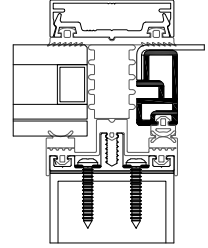
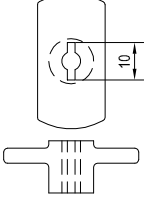
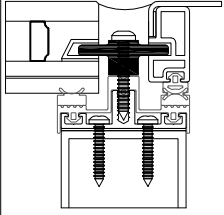

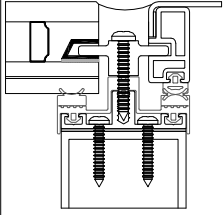
03

04

05

06

01	 <p><b>01.03.25</b> CAM FİTİLİ GLAZING GASKET</p> <p>Malzeme / Material : EPDM Ağırlık / Weight : 70 gr/m Paket / Package: 214 m / 15 kg</p>		 <p><b>01.11.05</b> KAPAK ALTI FİTİLİ GLAZING GASKET</p> <p>Malzeme / Material : EPDM Ağırlık / Weight : 235 gr/m Paket / Package: 64 m / 15 kg</p>	
02	 <p><b>01.03.27</b> CAM FİTİLİ GLAZING GASKET</p> <p>Malzeme / Material : EPDM Ağırlık / Weight : 56 gr/m Paket / Package: 267,8 m / 15 kg</p>		 <p><b>01.18.32</b> BİNİ FİTİLİ ACOUSTICAL GASKET</p> <p>Malzeme / Material : EPDM Ağırlık / Weight : 35 gr/m Paket / Package: 428 m / 15 kg</p>	
03	 <p><b>01.18.04</b> KASET BİNİ FİTİLİ ACOUSTICAL GASKET</p> <p>Malzeme / Material : EPDM Ağırlık / Weight : 42 gr/m Paket / Package: 357 m / 15 kg</p>			
04	 <p><b>01.02.15</b> DÜŞEY CAM FİTİLİ MULLION GLAZING GASKET</p> <p>Malzeme / Material : EPDM Ağırlık / Weight : 440 gr/m Paket / Package: 34,09 m / 15 kg</p> <p>Ölçek/Scale: ½</p>			
05	 <p><b>01.02.16</b> DÜŞEY CAM FİTİLİ MULLION GLAZING GASKET</p> <p>Malzeme / Material : EPDM Ağırlık / Weight : 500 gr/m Paket / Package: 30 m / 15 kg</p> <p>Ölçek/Scale: ½</p>			
06	 <p><b>01.03.11</b> YATAY CAM FİTİLİ TRANSOM GLAZING GASKET</p> <p>Malzeme / Material : EPDM Ağırlık / Weight : 433 gr/m Paket / Package: 34,64 m / 15 kg</p> <p>Ölçek/Scale: ½</p>			
	 <p><b>01.03.12</b> YATAY CAM FİTİLİ TRANSOM GLAZING GASKET</p> <p>Malzeme / Material : EPDM Ağırlık / Weight : 490 gr/m Paket / Package: 30,61 m / 15 kg</p> <p>Ölçek/Scale: ½</p>			

	<p><b>11.02.35</b></p> <p>CAM DESTEK TAKOZU GLASS SUPPORT</p> <p>Malzeme / Material : PVC Renk/ Colour : Siyah / Black</p>				
	<p><b>20.05.05</b></p> <p>EPDM KÖPÜK EPDM FOAM</p> <p>Malzeme / Material : EPDM Paket / Package :</p>				
	<p><b>20.04.04</b></p> <p>SOSİS FITİL EPDM FOAM</p> <p>Malzeme / Material : Polietilen/Polyethilen Paket / Package: 180 m</p>				
	<p><b>02.03.28</b></p> <p>PVC ADAPTÖR PROFİLİ PVC ADAPTER PROFILE</p> <p>Malzeme / Material : PVC</p>				
	<p><b>11.01.15</b></p> <p>KİLİTLEME PARÇASI LOCKING PART</p> <p>Malzeme / Material : ZAMAK 2</p>				
	<p><b>26.01.03</b></p> <p>NEM ALICI PROFİL DEHUMIDIFYING PROFILE</p> <p>Malzeme / Material : Aluminium</p>				

01

02

03

04

05

06



15.01.16

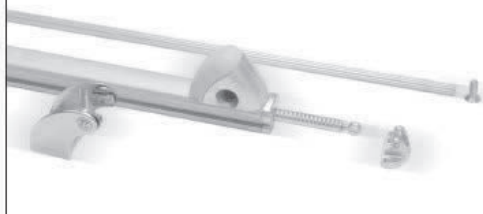
GIESSE KANAT MENTEŞESİ  
GIESSE HINGE FOR WINDOWS  
Renk / Colour : Siyah-Beyaz-Gri-Eloksal  
Black-White-Grey-Anodised

75 kg için 2 adet, 85 kg için 3 adet kullanılmalıdır. / Should be used 2 for 75 kg,3 for 85 kg.  
EN 1935:2002



07.28.02

KANAT AÇKI MEKANİZMASI  
VENT OPENING MECHANISM



KANAT AÇKI MEKANİZMASI  
VENT OPENING MECHANISM

#### TEKNİK BİLGİLER / TECHNICAL PROPERTIES

ELEKTRİK ENERJİSİ ELECTRIC ENERGY	230V~(AC) 50 Hz
İTME VE ÇEKME GÜCÜ PUSH AND PULL FORCE	600 N
NOMİNAL YÜKTE EMİLEN AKIM CURRENT ABORBED AT NOMINAL LOAD	0,320 A
BOŞTA ÇALIŞMA HIZI NO-LOAD SPEED	11 mm/s



# MİMARİ KATALOG

## ARCHITECTURAL CATALOGUE

Alüminyum Kapı Pencere ve Giydirme Cephe Sistemleri  
Aluminium Window Doors and Facade Systems

# RSK 50

İMALAT DETAYLARI

FABRICATION DETAIL

01

02

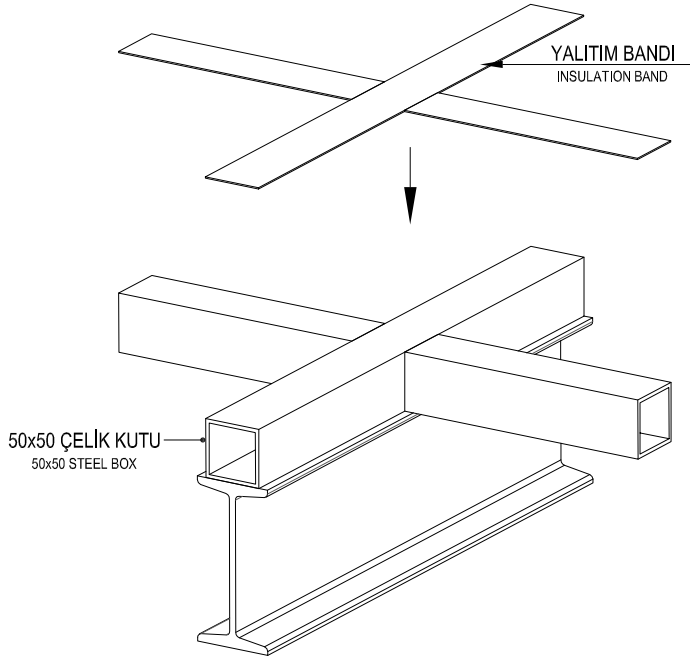
03

04

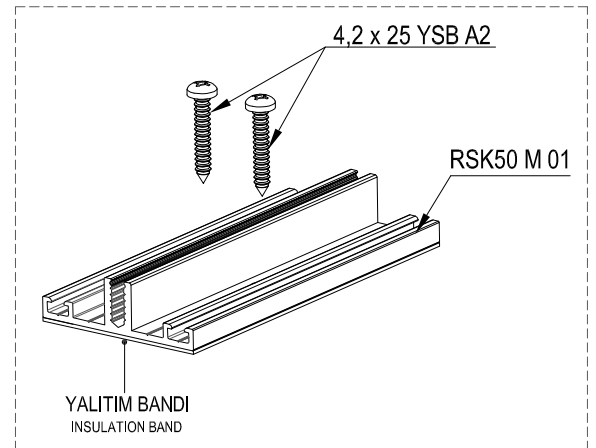
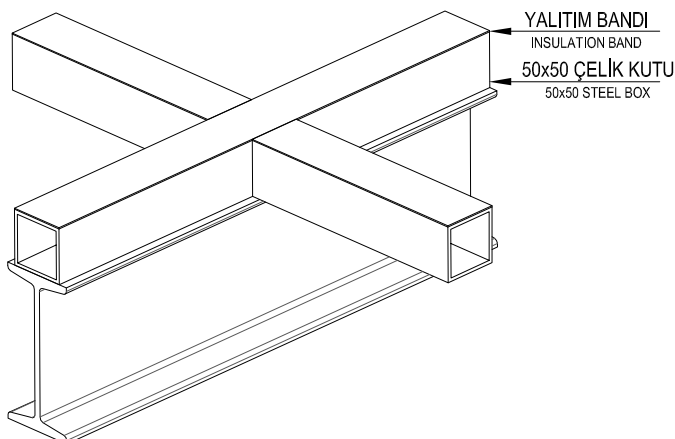
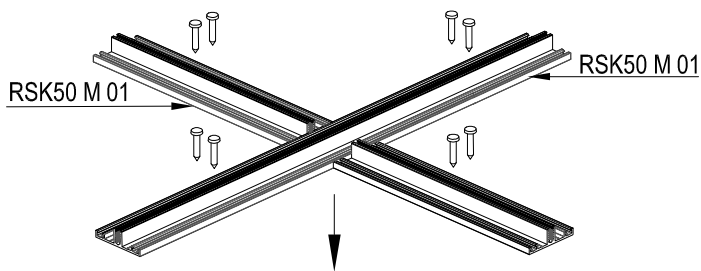
05

06

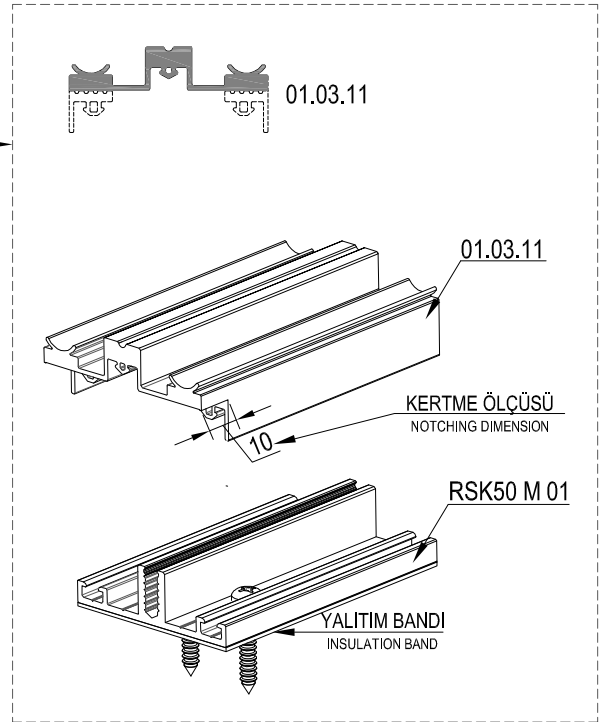
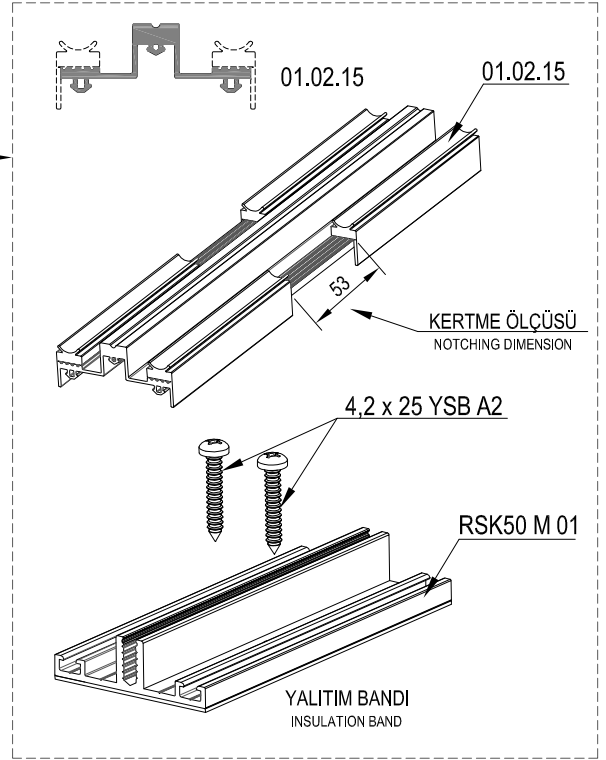
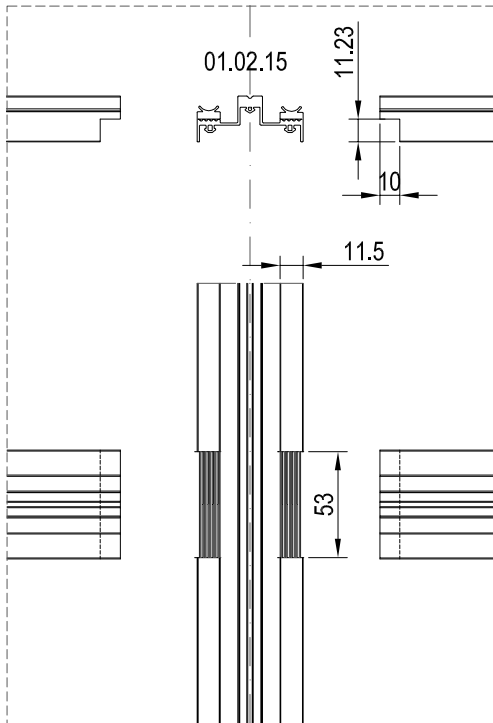
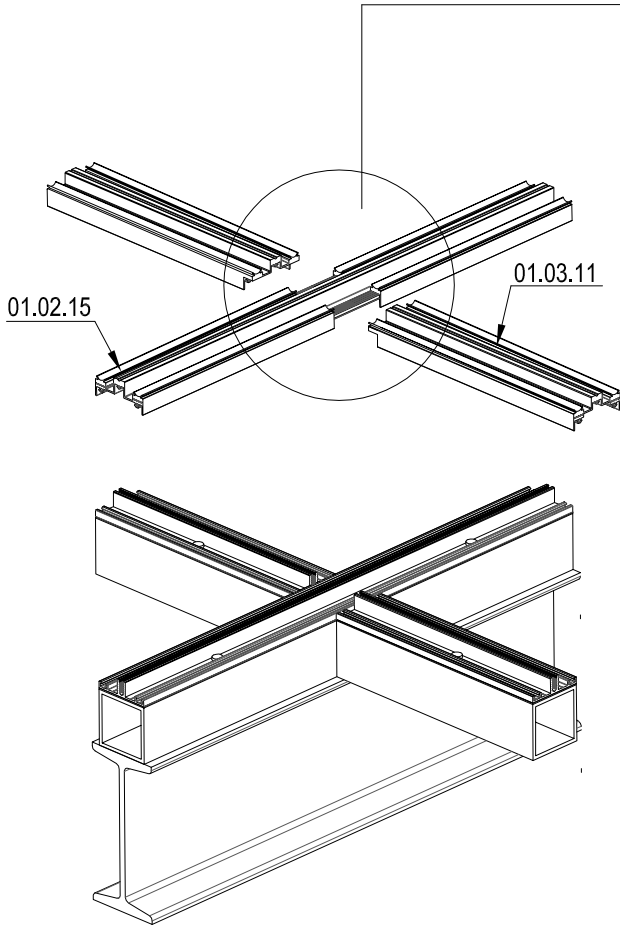
(1) YALITIM BANDI MONTAJI  
INSTALLING INSULATION BAND



(2) DÜŞEY VE YATAY PROFİL MONTAJI  
INSTALLING MULLION AND TRANSOM PROFILES



(3) EPDM FİTİL MONTAJI  
INSTALLING EPDM GASKET



01

02

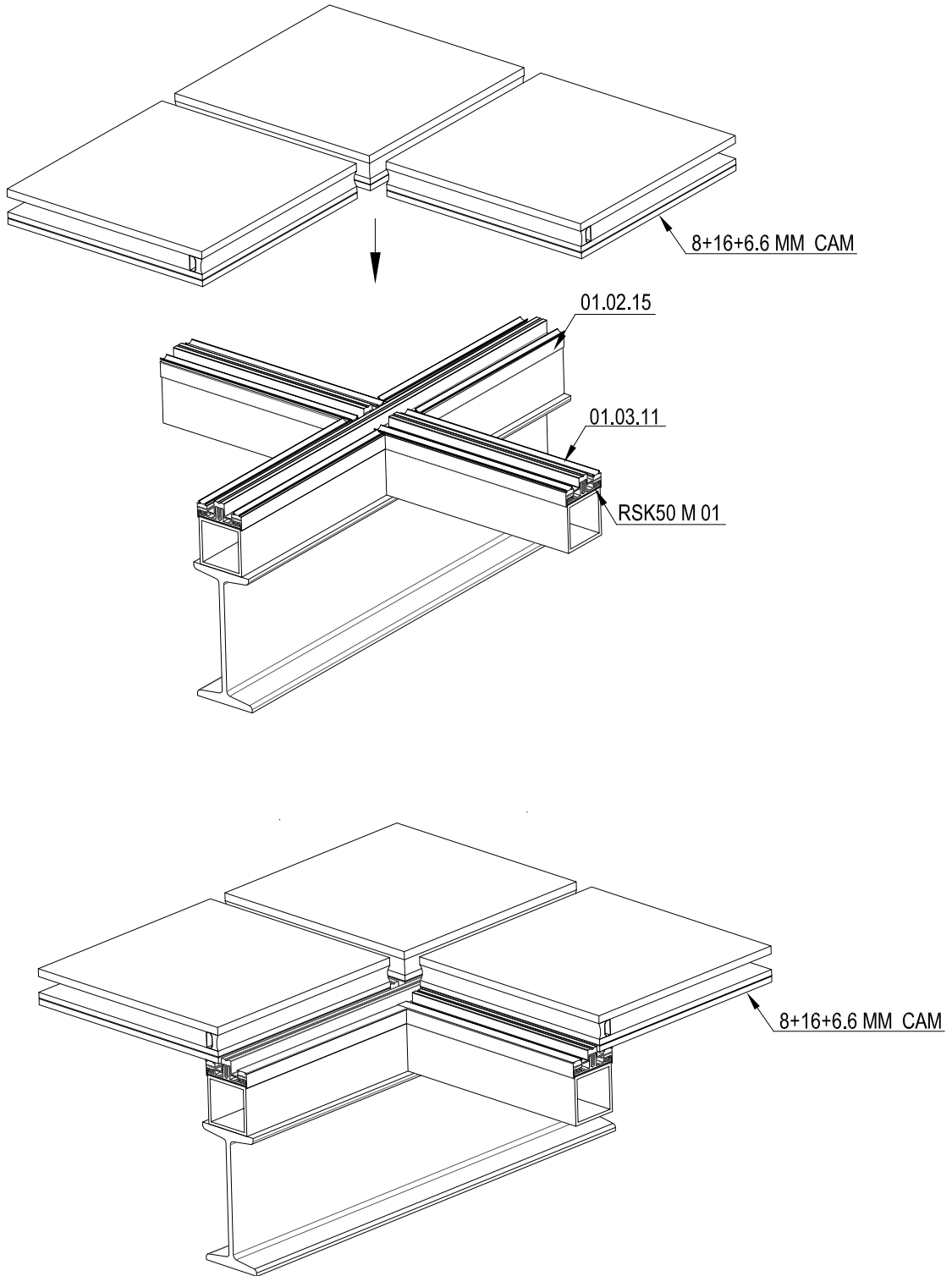
03

04

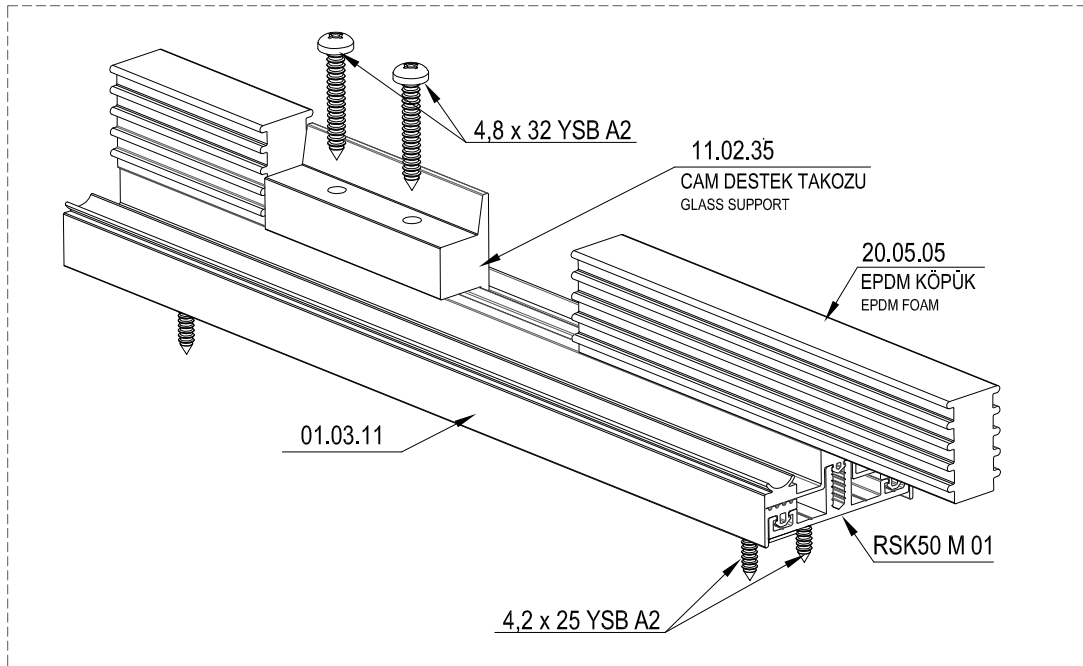
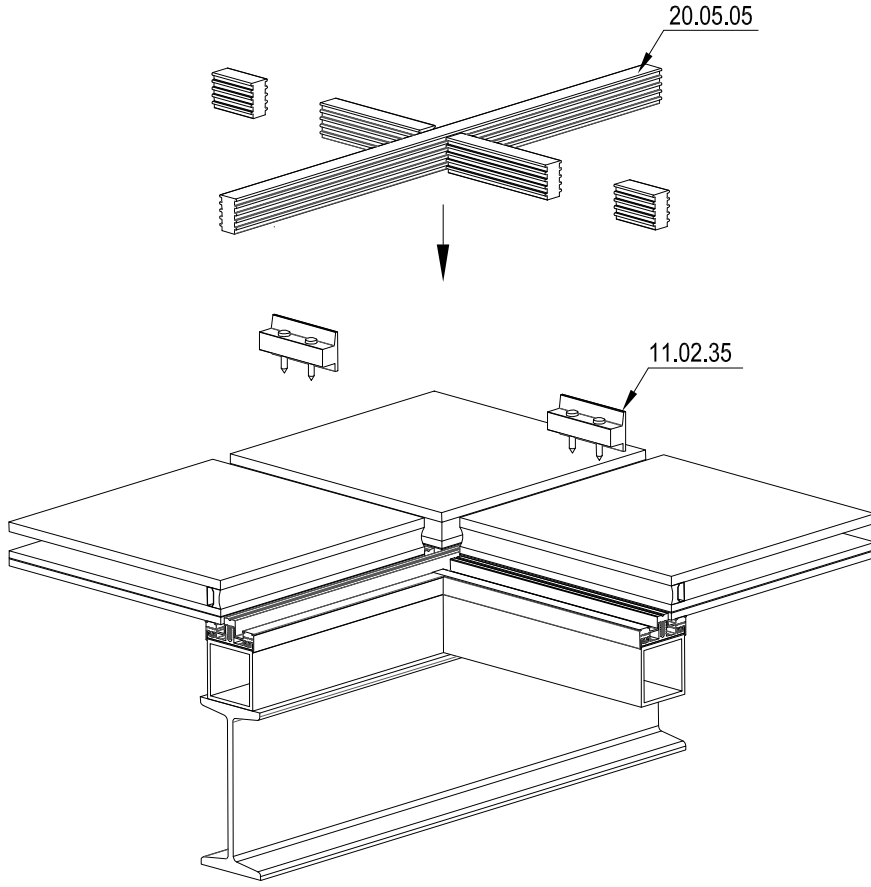
05

06

(4) CAM MONTAJ DETAYLARI  
GLASS ASSEMBLY DETAIL



(5) CAM MONTAJ DETAYLARI  
GLASS ASSEMBLY DETAIL



01

02

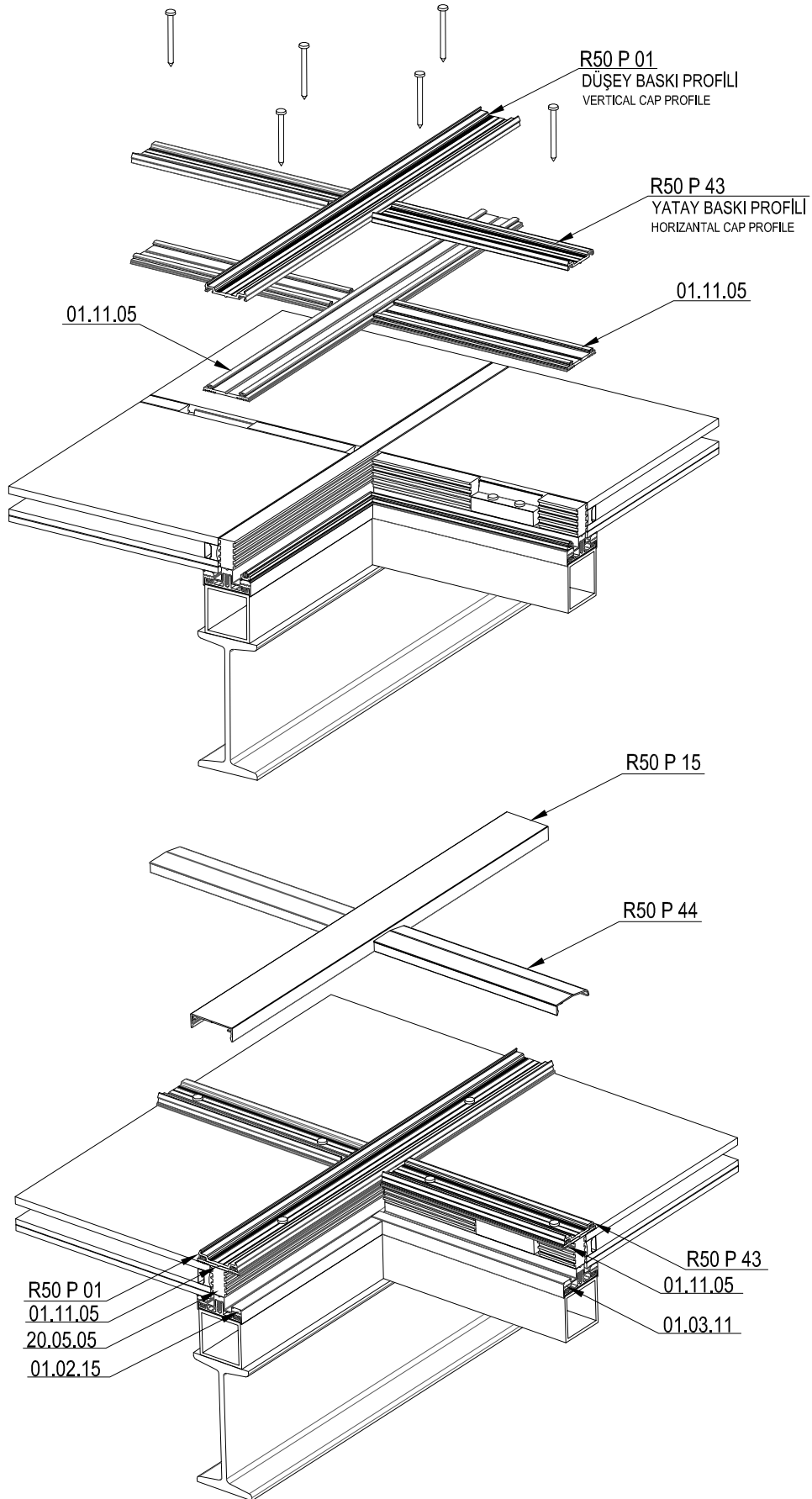
03

04

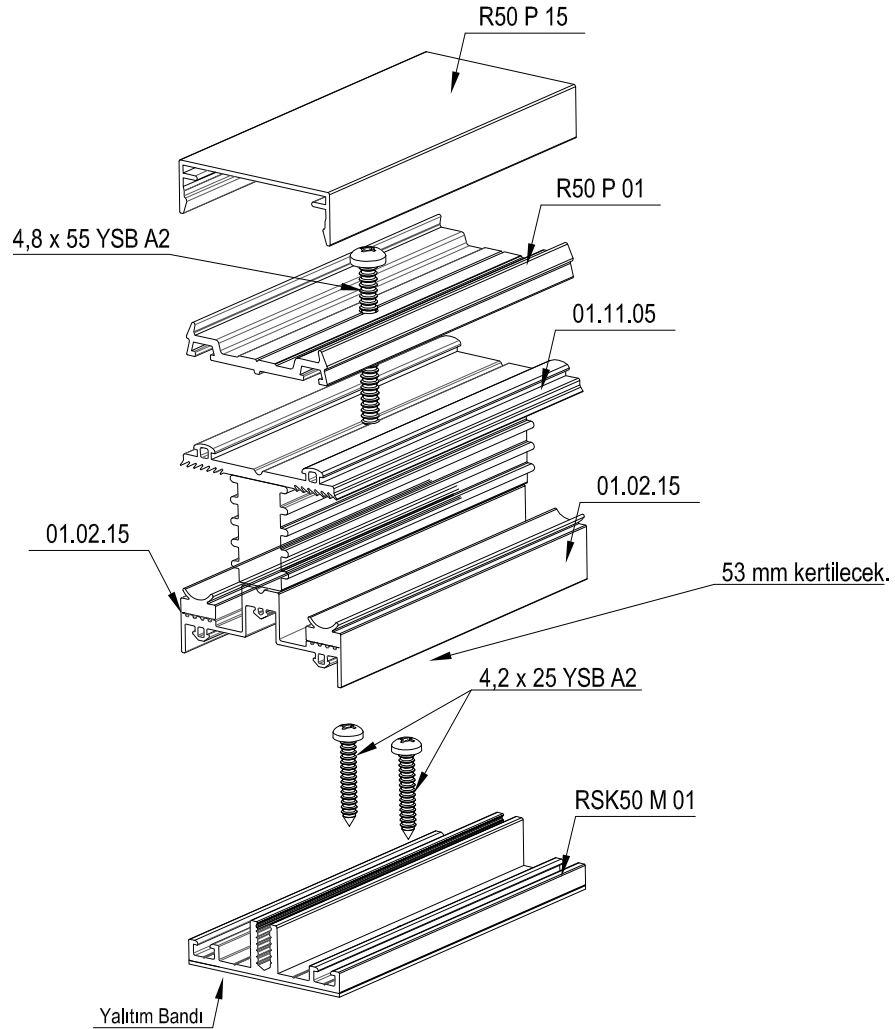
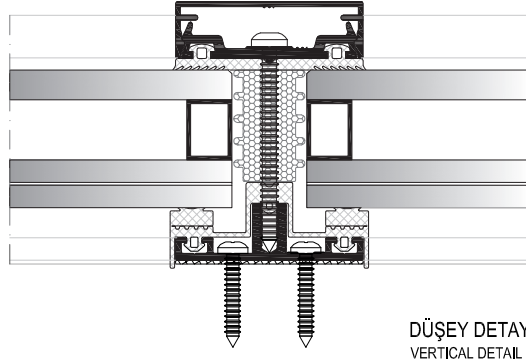
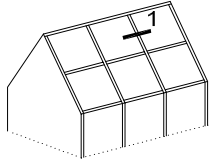
05

06

(6) GENEL MONTAJ DETAYLARI  
ASSEMBLY DETAIL



(7) GENEL MONTAJ DETAYLARI  
ASSEMBLY DETAIL



01

02

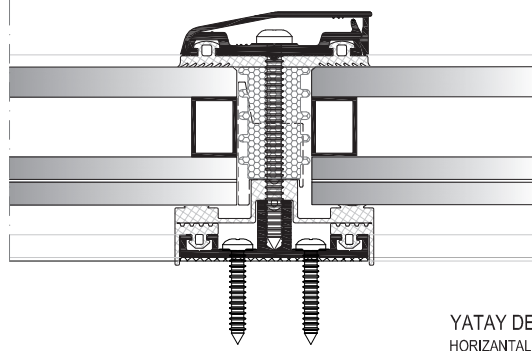
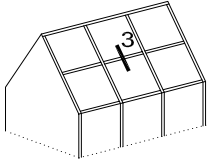
03

04

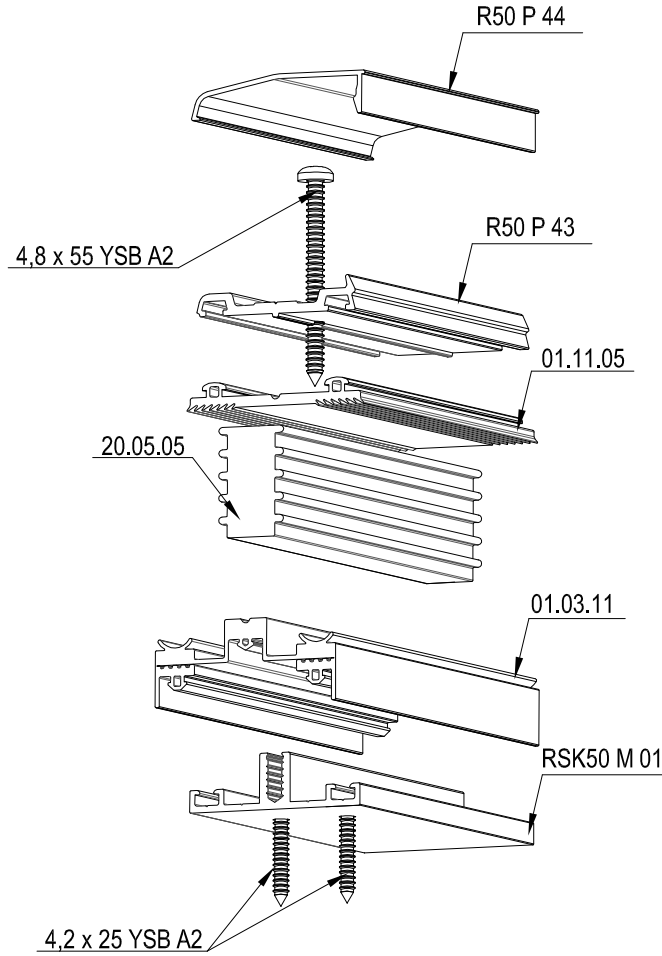
05

06

(8) GENEL MONTAJ DETAYLARI  
ASSEMBLY DETAIL

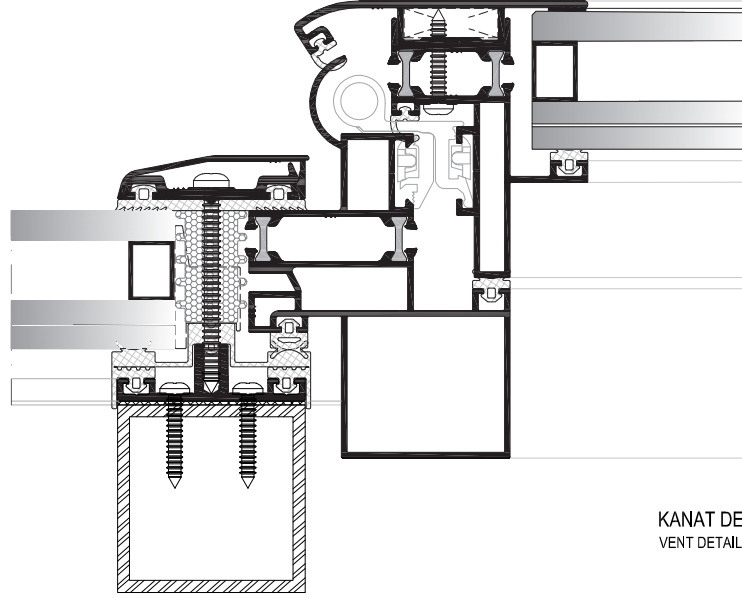
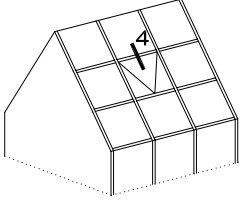


YATAY DETAY  
HORIZONTAL DETAIL

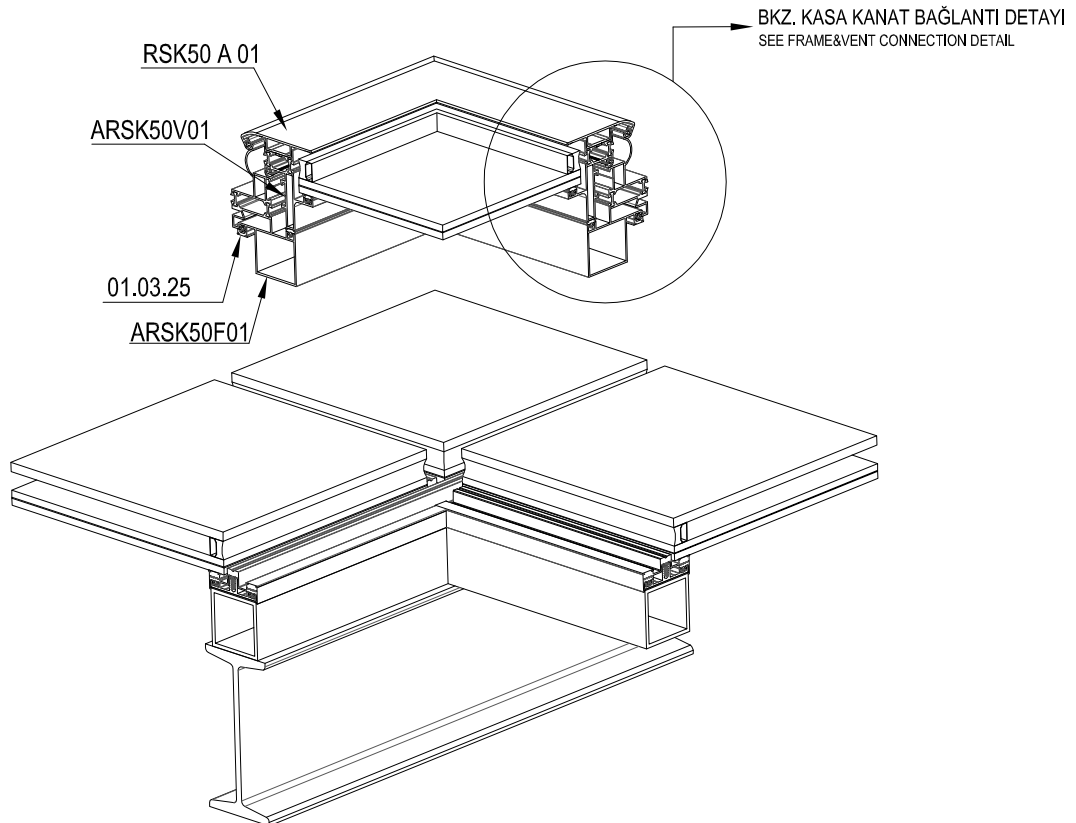




(9) GENEL MONTAJ DETAYLARI  
ASSEMBLY DETAIL



KANAT DETAYI  
VENT DETAIL



01

02

03

04

05

06

(10) KASA&KANAT BAĞLANTI DETAYI  
FRAME&VENT CONNECTION DETAIL

01

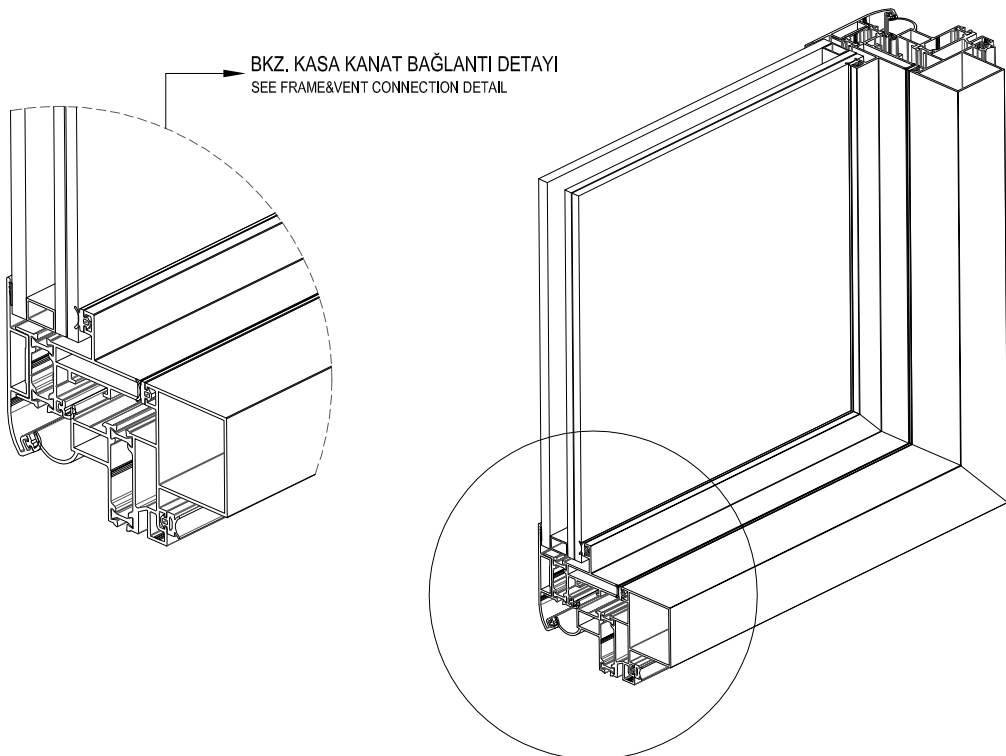
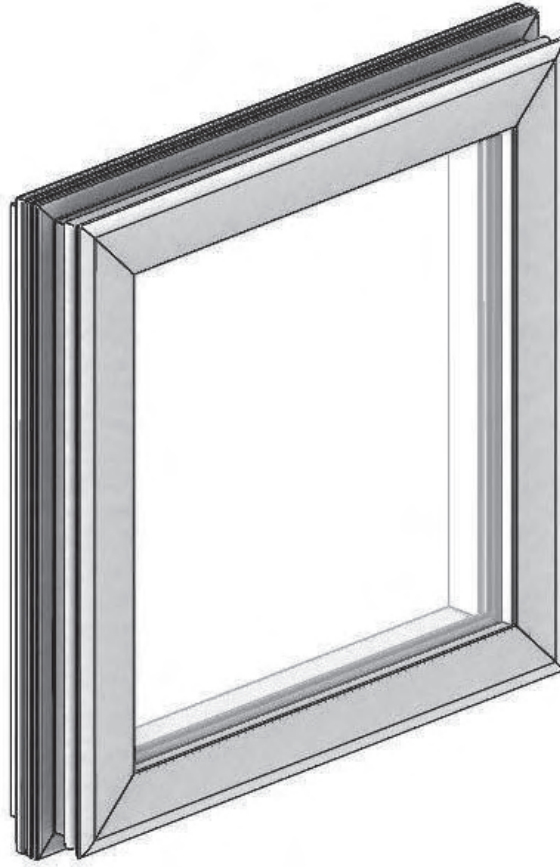
02

03

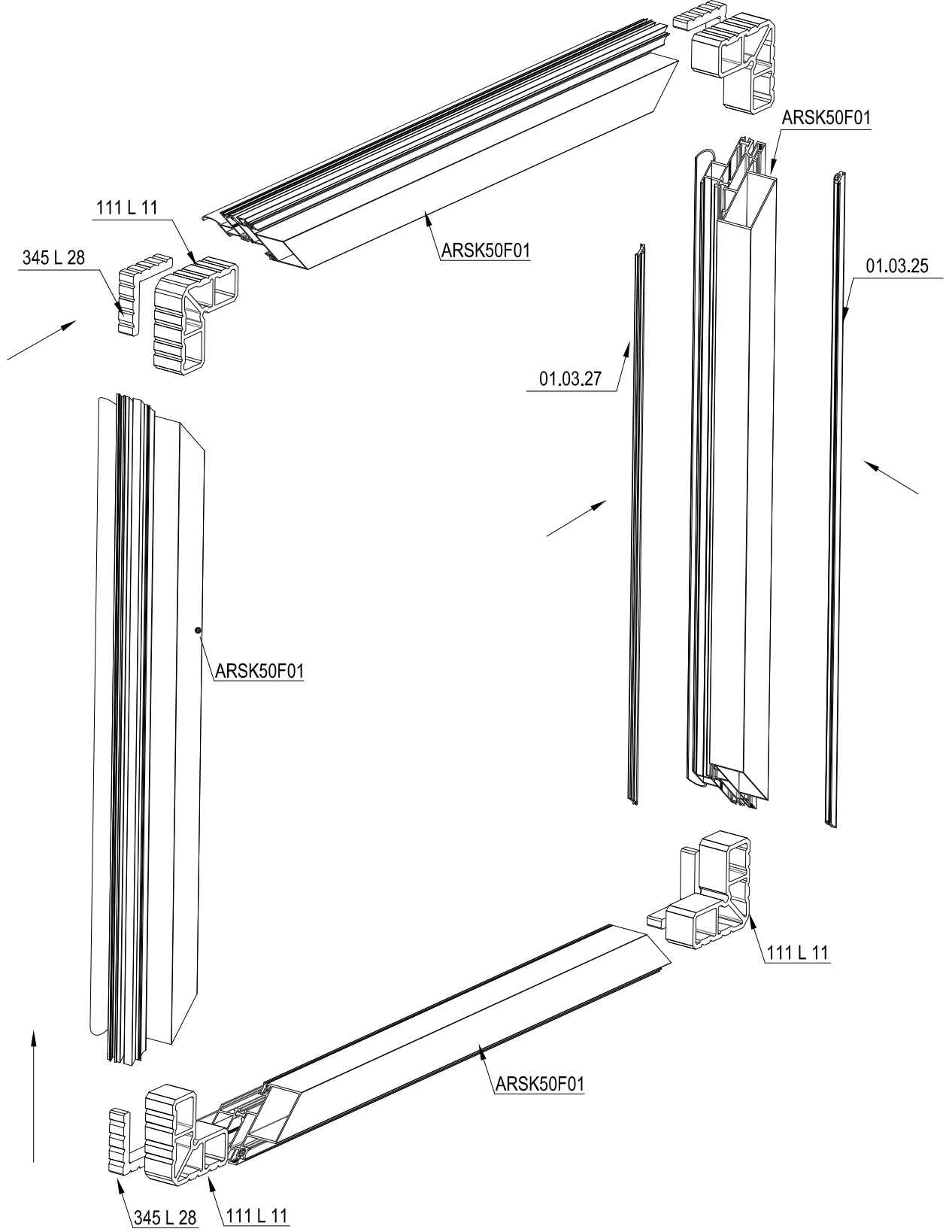
04

05

06



(10) KASA KÖŞE BAĞLANTI DETAYI  
FRAME CORNER DETAIL



01

02

03

04

05

06

(11) KANAT KÖŞE BAĞLANTI DETAYI  
VENT CORNER DETAIL

